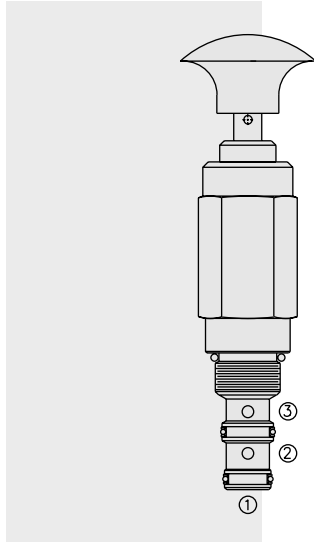


DIRECTIONAL VALVES

MP08-34 Manual, Spring Return, Pull-to-Shift



DESCRIPTION

A 3-way, manual, pull-to-shift, spring-return, directional hydraulic cartridge valve.

OPERATION

In its steady-state, spring-offset position, the MP08-34 blocks flow from ② to ③.

In the actuated (pulled) position, the cartridge directs flow from ③ to ②. The spring chamber is vented at ①. When released, the valve returns to its steady state.

Note: Pressure at port ① will directly act on the spool and spring. Port ① is intended to be a tank port only.

FEATURES

- Hardened spool and cage for long life.
- Pressure to 14 bar (200 psi) on ①.
- Optional rotational lock position.
- Compact size.

RATINGS

Operating Pressure:

On ③ to ②: 240 bar (3500 psi)

Proof Pressure: 350 bar (5075 psi)

Flow: See Performance Chart

Internal Leakage: 82 cc/minute (5 cu. in./minute) max.

Mechanical Pull Effort Required: 7.3 kg. (17 lbs.) installed; 8.6 kg. (19 lbs.) to travel 3.2 mm (0.125 in.); 9.1 kg. (20 lbs.) to detent

Temperature: -40 to 120°C

Filtration: See page 9.010.1

Fluids: Mineral-based or synthetics with lubricating properties at viscosities of 7.4 to 420 cSt (50 to 2000 ssu)

Installation: No restrictions; See page 9.020.1

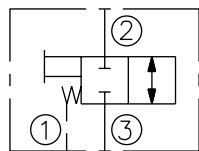
Cavity: VC08-3; See page 9.108.1

Cavity Tool: CT08-3XX; See page 8.600.1

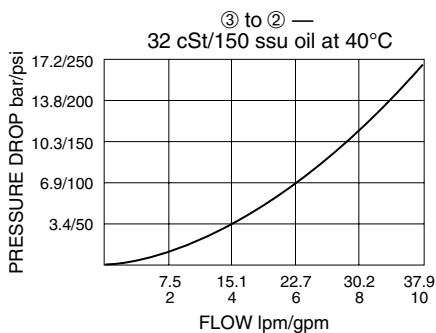
Seal Kit: SK08-3X-MT; See page 8.650.1

SYMBOLS

USASI/ISO:

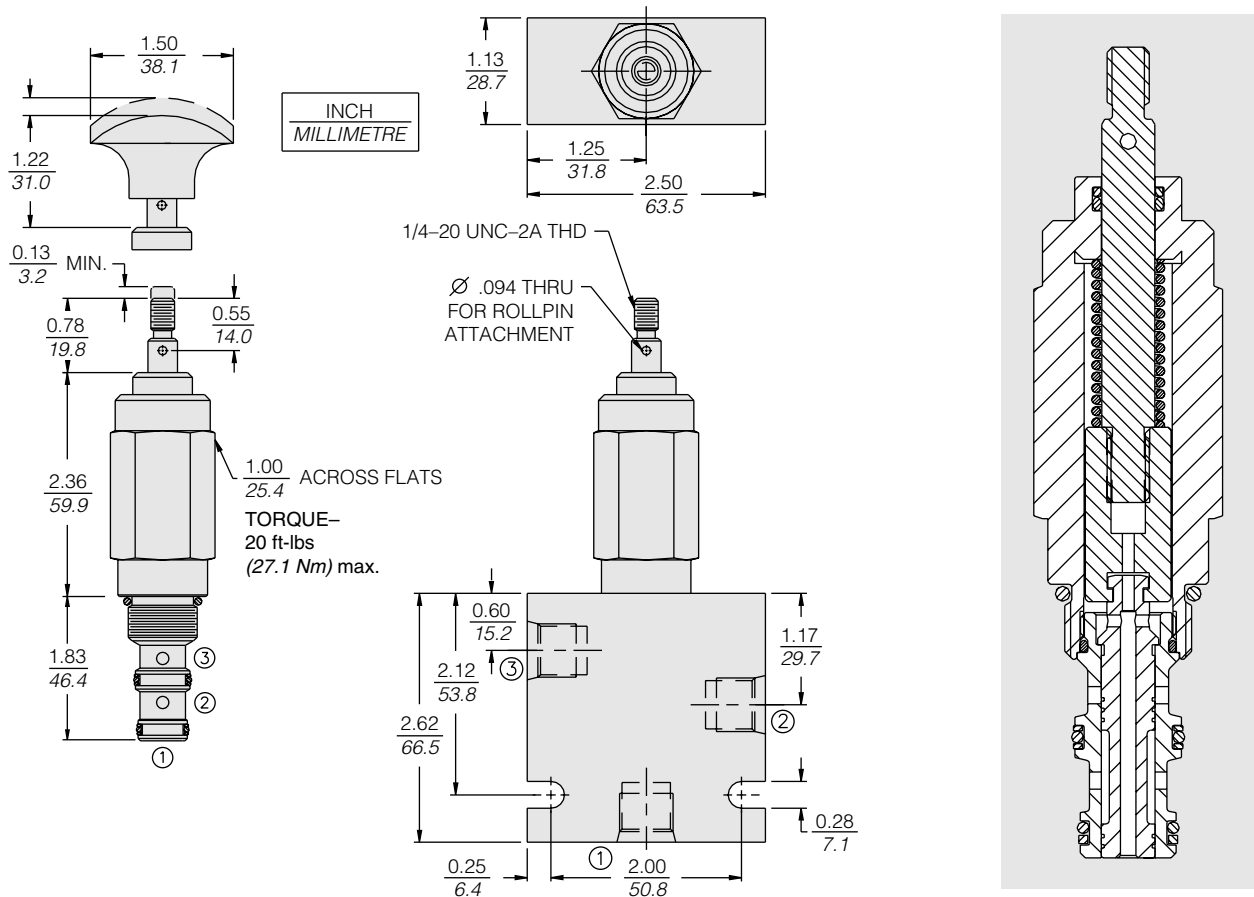


PERFORMANCE (Cartridge Only)



Note: This product replaces MP08-36

DIMENSIONS



MATERIALS

Cartridge: Weight: 0.23 kg. (0.50 lbs.); Steel with hardened work surfaces. Zinc-plated exposed surfaces. Buna N O-rings and polyester elastomer back-ups standard. Plastic knob optional.

Standard Ported Body: Weight: 0.27 kg. (0.60 lbs.); Anodized high-strength 6061 T6 aluminum alloy, rated to 240 bar (3500 psi); see page 8.008.1. Ductile iron and steel bodies available; dimensions may differ; consult factory.

TO ORDER

MP08-34		-	-
Option			Seals
Threaded Shaft/ Spring Return	T		N Buna N (Std.)
Black Plastic Knob/ Spring Return	K		V Fluorocarbon
Red Plastic Knob/ Spring Return	J		
			Porting
		0	Cartridge Only
		6T	SAE 6
		2B	1/4 in. BSP*
		3B	3/8 in. BSP*
		*BSP Body; U.K. Mfr. Only	