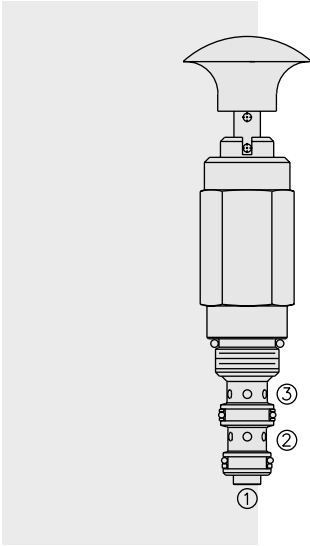


DIRECTIONAL VALVES

MP08-30 Manual, Spring Return, Pull-to-Shift



DESCRIPTION

A 3-way, manual, pull-to-shift, spring-return, directional hydraulic cartridge valve. Series operation is prohibited due to the tank port (1) pressure rating.

OPERATION

In its steady-state, spring-offset position, the **MP08-30** directs flow from 2 to 1, while blocking at 3.

In the actuated (pulled) position, the cartridge directs flow from 3 to 2, blocking 1. The spring chamber is vented at 1.

Note: Pressure at port 1 will directly act on the spool and spring. Port 1 is intended to be a tank port only.

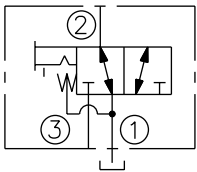
A unique pull-and-rotate feature for holding the positive actuated position is optional. A 90° rotation is required to position at the hold slot. The valve resets to spring-return de-actuated with a slight pull and a 90° turn from the locked actuated position.

FEATURES

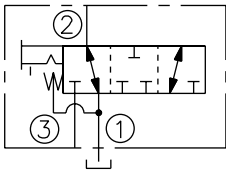
- Hardened spool and cage for long life.
- Pressure to 14 bar (200 psi) on 1.
- Optional rotational lock position.
- Compact size.

SYMBOLS

USASI/ISO:



TRANSITION:



RATINGS

Operating Pressure:

On 3 to 2: 240 bar (3500 psi)

On 1 (Max.): 14 bar (200 psi)

Proof Pressure: 350 bar (5075 psi)

Flow: See Performance Chart

Internal Leakage: 82 cc/minute (5 cu. in./minute) max.

Mechanical Pull Effort Required: 7.7 kg. (17 lbs.) installed; 8.6 kg. (19 lbs.) to travel 3.2 mm (0.125 in.); 9.1 kg. (20 lbs.) to detent

Temperature: -40 to 120°C

Filtration: See page 9.010.1

Fluids: Mineral-based or synthetics with lubricating properties at viscosities of 7.4 to 420 cSt (50 to 2000 ssu)

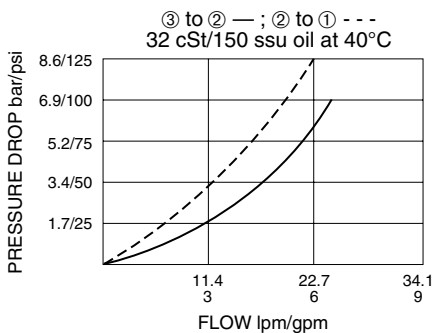
Installation: No restrictions; See page 9.020.1

Cavity: VC08-3; See page 9.108.1

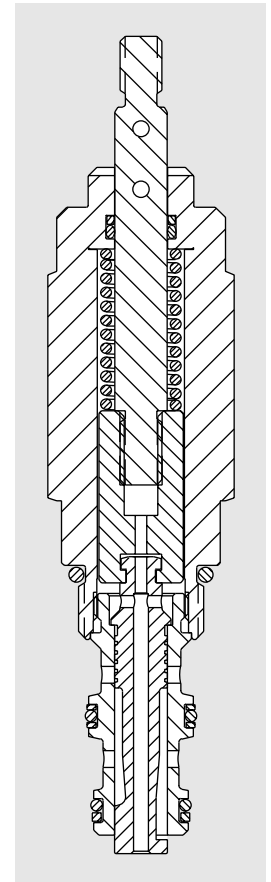
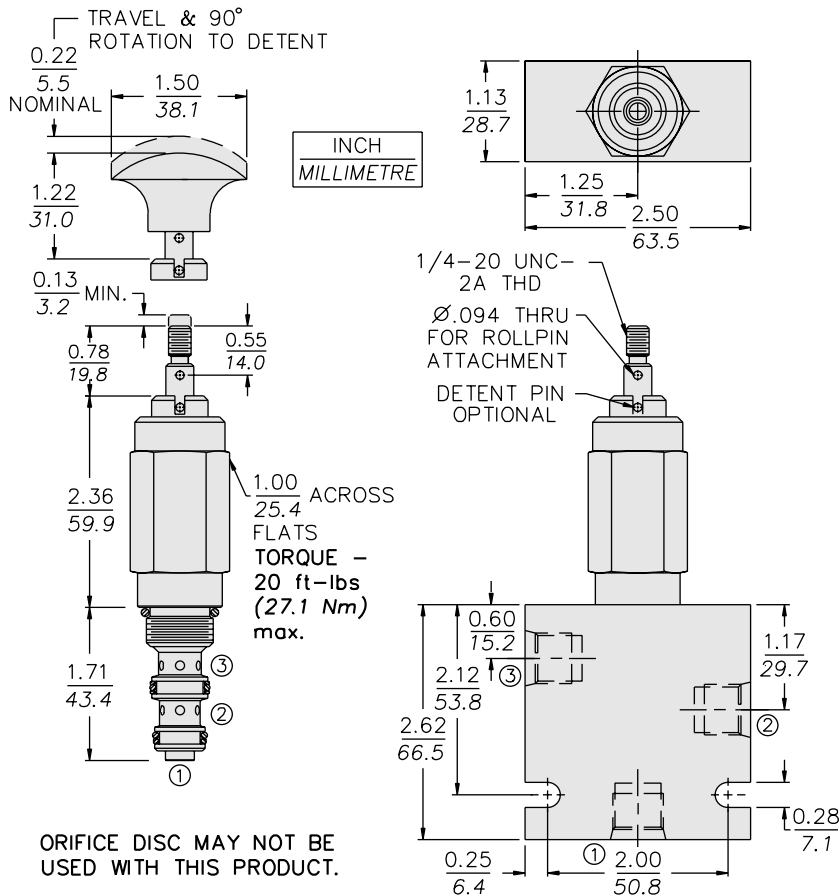
Cavity Tool: CT08-3XX; See page 8.600.1

Seal Kit: SK08-3X-MT; See page 8.650.1

PERFORMANCE (Cartridge Only)



DIMENSIONS



MATERIALS

Cartridge: Weight: 0.23 kg. (0.50 lbs.); Steel with hardened work surfaces. Zinc-plated exposed surfaces. Buna N O-rings and polyester elastomer back-ups standard. Plastic knob optional.

Standard Ported Body: Weight: 0.27 kg. (0.60 lbs.); Anodized high-strength 6061 T6 aluminum alloy, rated to 240 bar (3500 psi); see page 8.008.1. Ductile iron and steel bodies available; dimensions may differ; consult factory.

TO ORDER

MP08-30

Option

Threaded Shaft/
Spring Return T

Threaded Shaft/
Lock Position Pin R

Black Plastic Knob/
Spring Return K

Black Plastic Knob/
Lock Position Pin D

Red Plastic Knob/
Spring Return J

Red Plastic Knob/
Lock Position Pin L

Seals

N Buna N (Std.)

V Fluorocarbon

Porting

0 Cartridge Only

6T SAE 6

2B 1/4 in. BSP*

3B 3/8 in. BSP*

*BSP Body;
U.K. Mfr. Only