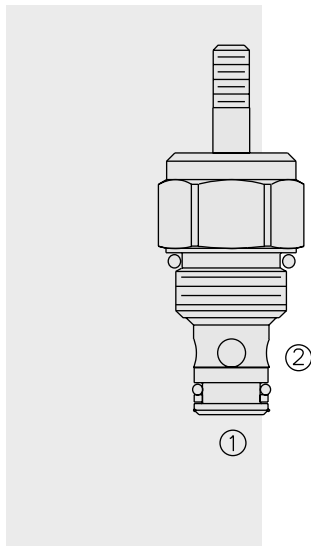


# DIRECTIONAL VALVES

## MP08-20 Manual, Spring Return, Pull-to-Open



### DESCRIPTION

A manual, 2-way, pull-to-open, screw-in hydraulic directional valve.

### OPERATION

The MP08-20 blocks flow from ② to ① until an operator pulls the shaft outward.

**Note: Pressure at port ① will directly act on the spool and spring. Port ① is intended to be a tank port only.**

The bias spring allows for up to 12.4 bar (180 psi) back-pressure at ① before the valve will open.

### FEATURES

- Hardened seat for long life and low leakage.
- Remains closed to 12.4 bar (180 psi) back-pressure.
- Industry common cavity.

### RATINGS

#### Operating Pressure:

Port ②: 207 bar (3000 psi)

Port ①: 12.4 bar (180 psi) max.

**Proof Pressure:** 350 bar (5075 psi)

**Flow:** See Performance Chart

**Internal Leakage ② to ①:** 0.25 cc/minute (5 drops/minute) max. at 207 bar (3000 psi)

**Mechanical Pull Effort Required at Rated Pressure:** 4.5 kg. (10.0 lbs.) initial;  
6.8 kg. (15.0 lbs.) full shift

**Temperature:** -40 to 120°C

**Filtration:** See page 9.010.1

**Fluids:** Mineral-based or synthetics with lubricating properties at viscosities of  
7.4 to 420 cSt (50 to 2000 ssu)

**Installation:** No restrictions; See page 9.020.1

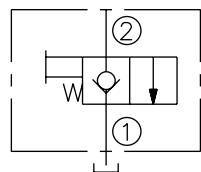
**Cavity:** VC08-2; See page 9.108.1

**Cavity Tool:** CT08-2XX; See page 8.600.1

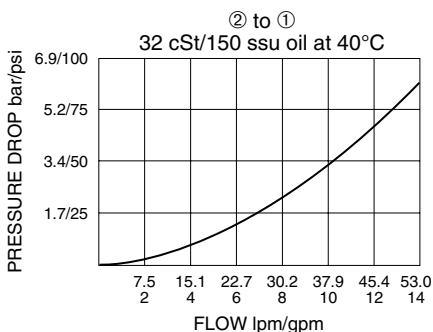
**Seal Kit:** SK08-2X-T; See page 8.650.1

### SYMBOLS

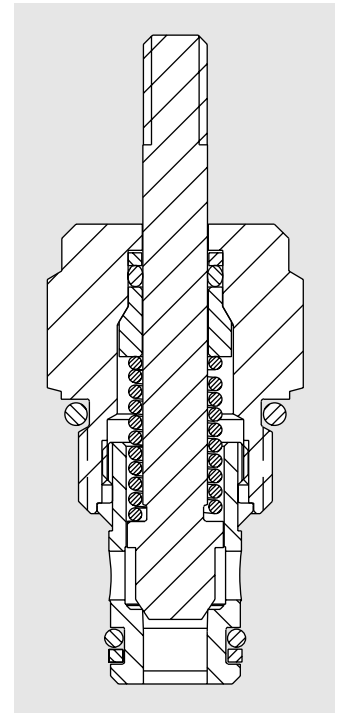
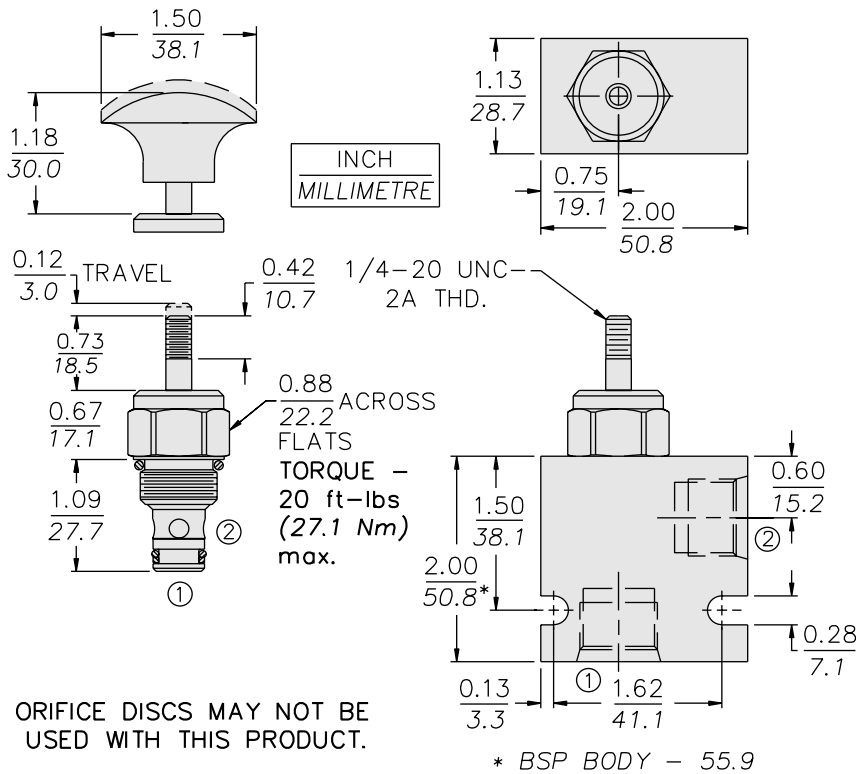
#### USASI/ISO:



### PERFORMANCE (Cartridge Only)



**DIMENSIONS**



**MATERIALS**

**Cartridge:** Weight: 0.10 kg. (0.22 lbs.); Steel with hardened work surfaces; Zinc-plated exposed surfaces; Buna N O-rings and back-ups standard; Plastic knob optional.

**Standard Ported Body:** Weight: 0.16 kg. (0.35 lbs.); Anodized high-strength 6061 T6 aluminum alloy, rated to 240 bar (3500 psi); see page 8.008.1. Ductile iron and steel bodies available; dimensions may differ; consult factory.

**TO ORDER**

