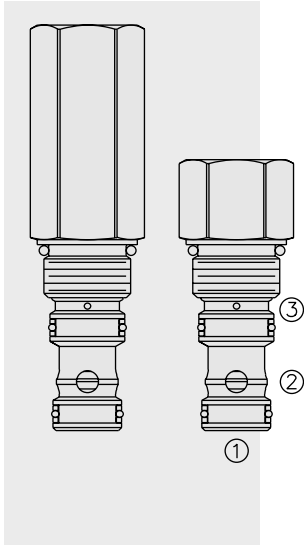


DIRECTIONAL VALVES

EV10-S34 Vented Spool-Type Logic Element



DESCRIPTION

A spool-type, screw-in, cartridge-style, hydraulic directional element, with multi-function potential when used with other directional, pressure, or flow control devices.

OPERATION

The EV10-S34 is a spring-biased blocking valve which will shift to allow full flow from ① to ② only when ③ is vented to create a pressure drop across the internal orifice which exceeds the pressure value of the selected bias spring force.

EV10-S34 is a vent-to-open directional valve.

FEATURES

- Multiple function/application potential.
- Smooth shift transition.
- Low pressure drop.
- Industry common cavity.

RATINGS

Operating Pressure: 345 bar (5000 psi) cartridge; 240 bar (3500 psi) standard aluminum housing

Flow: See Performance Chart

Internal Leakage: 164 cc/minute (10 cu. in./minute) max. at 207 bar (3000 psi)

Bias Spring Pressure Options:

- 0.7 bar (10 psi);
- 2.8 bar (40 psi);
- 5.5 bar (80 psi);
- 7.6 bar (110 psi);
- 11.0 bar (160 psi);

Note: Tall cap option required for 11.0 bar (160 psi) spring.

Temperature: -40 to 120°C with standard Buna seals

Filtration: See page 9.010.1

Fluids: Mineral-based or synthetics with lubricating properties at viscosities of 7.4 to 420 cSt (50 to 2000 ssu)

Installation: No restrictions; See page 9.020.1

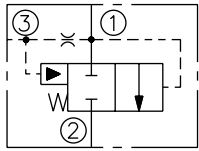
Cavity: VC10-S3; See page 9.110.1

Cavity Tool: CT10-S3XX; See page 8.600.1

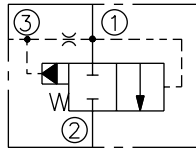
Seal Kit: SK10-3X-MM; See page 8.650.1

SYMBOLS

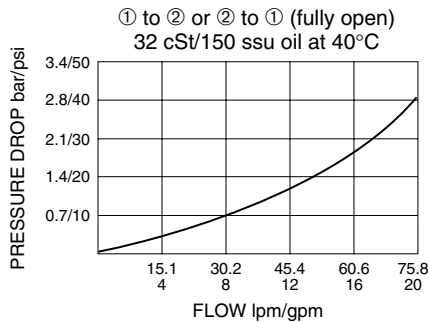
USASI:



ISO:

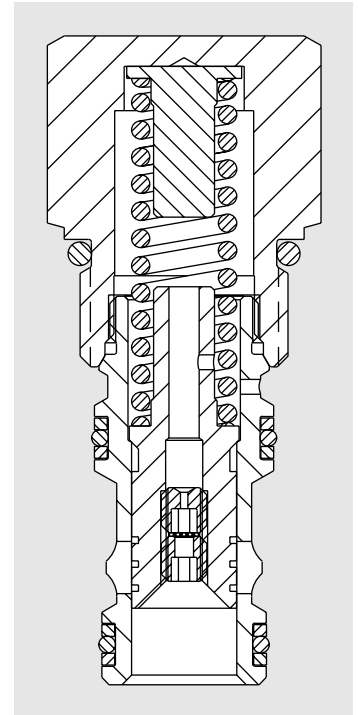
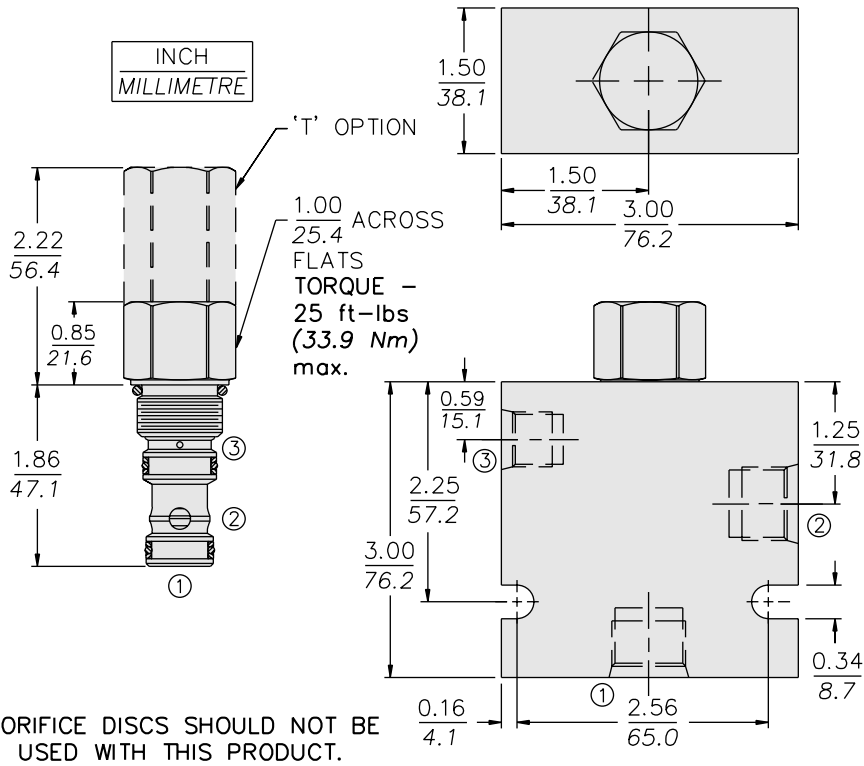


PERFORMANCE (Cartridge Only)



EV10-S34

DIMENSIONS



MATERIALS

Cartridge: Weight: 0.15 kg. (0.32 lbs.); Steel with hardened work surfaces; Zinc-plated exposed surfaces; Buna N O-rings and polyester elastomer back-ups standard.

Standard Ported Body: Weight: 0.32 kg. (0.70 lbs.). Anodized high-strength 6061 T6 aluminum alloy, rated to 240 bar (3500 psi); see page 8.010.1. Ductile iron and steel bodies available; dimensions may differ; consult factory.

TO ORDER

EV10-S34		-	-	-	-
Option					Bias Spring
None (Blank)					10 0.7 bar (10 psi)
Tall Cap T					40 2.8 bar (40 psi)
					80 5.52 bar (80 psi)
					110 7.6 bar (110 psi)
					*160 11.0 bar (160 psi)
					*230 15.9 bar (230 psi)
					‡ T Option required
	Porting				Seals
	Cartridge Only	0			N Buna N (Std.)
	SAE 8*	8T			V Fluorocarbon
	SAE 10*	10T			P Polyurethane
	SAE 12*	12T			(for pressures over 240 bar [3500 psi])
	*SAE 6 vent port				