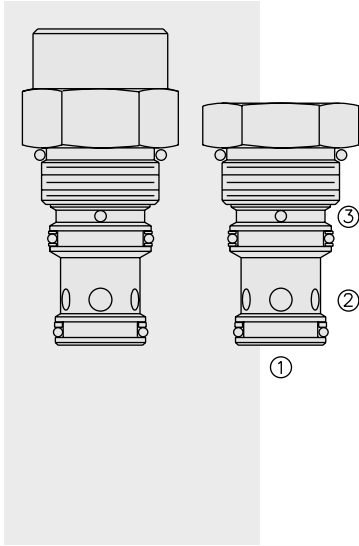


DIRECTIONAL VALVES

EP16-S35 Piloted Spool-Type Logic Element



DESCRIPTION

A spool-type, screw-in, cartridge-style, hydraulic directional element, with multi-function potential when used with other directional, pressure, or flow control devices.

OPERATION

The EP16-S35 is a spring-biased blocking valve which will shift to allow full flow from ① to ② only when pressure at ① exceeds the cumulative pressure of ③, plus the bias spring pressure value.

EP16-S35 is a pilot-to-close directional valve.

With no pressure at ③, flow will be allowed from ① to ② once the bias spring force is overcome with pressure at ①.

FEATURES

- Multiple function/application potential.
- Low pressure drop.
- Industry common cavity.

RATINGS

Operating Pressure: 240 bar (3500 psi)

Proof Pressure: 420 bar (6090 psi)

Flow: See Performance Chart

Internal Leakage: 164 cc/minute (10 cu. in./minute) max. at 207 bar (3000 psi)

Temperature: -40 to 120°C with standard Buna seals

Filtration: See page 9.010.1

Fluids: Mineral-based or synthetics with lubricating properties at viscosities of 7.4 to 420 cSt (50 to 2000 ssu)

Installation: No restrictions; See page 9.020.1

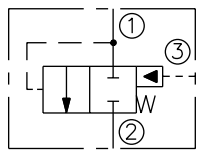
Cavity: VC16-S3; See page 9.116.1

Cavity Tool: CT16-S3XX; See page 8.600.1

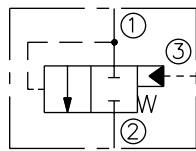
Seal Kit: SK16-3X-MM; See page 8.650.1

SYMBOLS

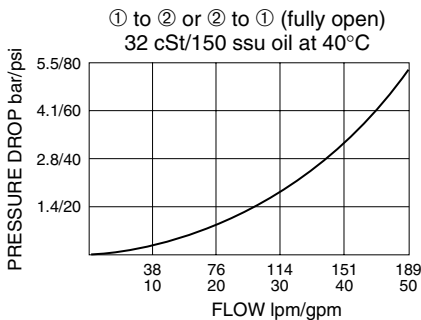
USASI:



ISO:

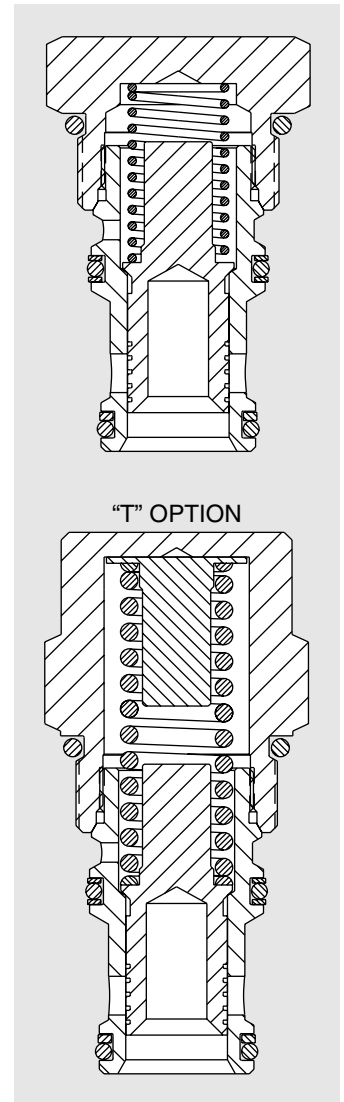
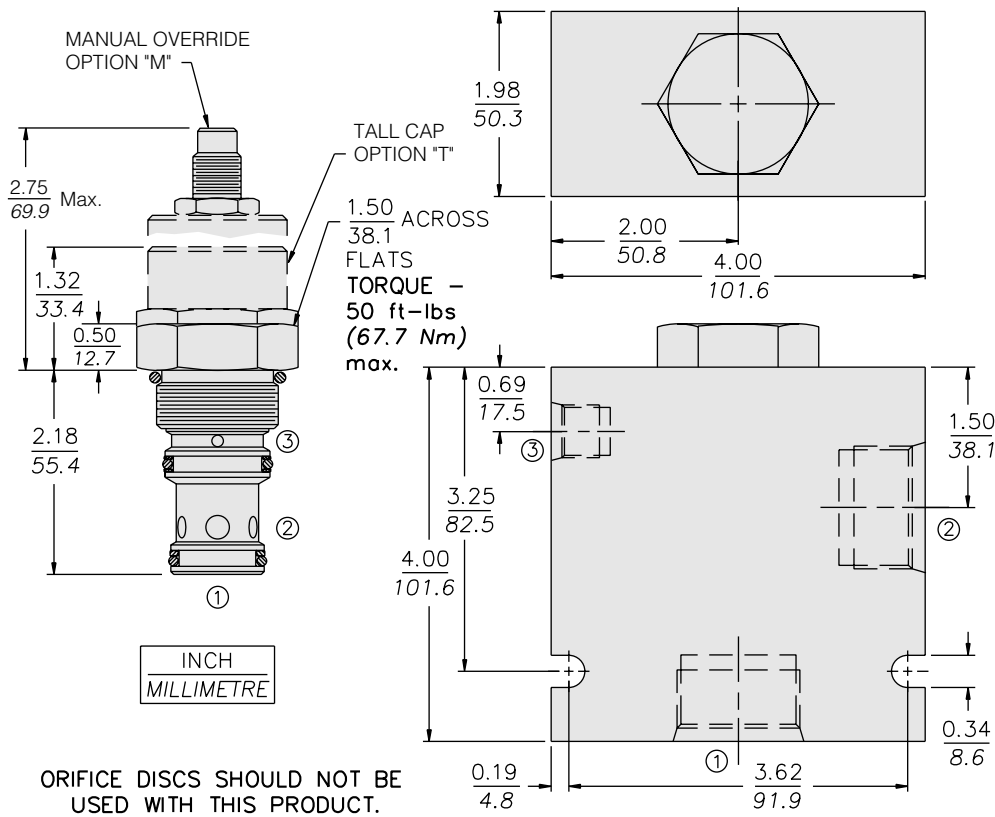


PERFORMANCE (Cartridge Only)



EP16-S35

DIMENSIONS



MATERIALS

Cartridge: Weight: 0.27 kg. (0.60 lbs.); Steel with hardened work surfaces. Zinc-plated exposed surfaces. Buna N O-rings and polyester elastomer back-ups standard.

Standard Ported Body: Weight: 1.50 kg. (3.3 lbs.). Anodized high-strength 6061 T6 aluminum alloy, rated to 240 bar (3500 psi); see page 8.016.1. Ductile iron and steel bodies available; dimensions may differ; consult factory.

TO ORDER

EP16-S35 -		-	-	-	-
Option					Bias Spring
None (Blank)					10 0.7 bar (10 psi)
Tall Cap T					20 1.4 bar (20 psi)
Manual Override M					40 2.8 bar (40 psi)
					70 4.8 bar (70 psi)
					*90 6.2 bar (90 psi)
					*110 7.6 bar (110 psi)
					*160 11.0 bar (160 psi)
					*240 16.5 bar (240 psi)
					‡ T Option Required
					Seals
					N Buna N (Std.)
					V Fluorocarbon
	Porting				
	Cartridge Only 0				
	SAE 16 w/SAE 6 Pilot Port 16T				