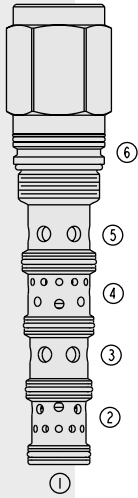


DIRECTIONAL VALVES

PE42-S67K Proportional, Pilot Operated

U.S. Patent
6,554,014



DESCRIPTION

A screw-in, cartridge-style, proportional, spring-centered, pilot-operated spool-type hydraulic directional valve.

OPERATION

When the PE42-S67K is in neutral position port ③ is blocked and ports ②, ④ and ⑤ are connected to each other. When the remote pilot signal at ① exceeds the force of the bias spring, the spool shifts proportionally to the applied pilot pressure to allow flow from ③ to ④ and from ② to ⑤, and to tank. On remote pilot signal at ⑥, the spool shifts proportionally to the applied force in the opposite direction, thus reversing the flow direction. **The spool is non-symmetrical, providing only meter-in control.**

FEATURES

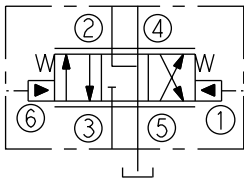
- Hardened spool and cage for long life.
- Excellent metering characteristics.
- Good linearity.

RATINGS

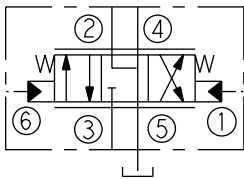
Maximum Operating Pressure: Port ③: 345 bar (5000 psi)
Ports ② and ④: 240 bar (3500 psi)
Ports ① and ⑥: 27.6 bar (400 psi)

SYMBOLS

USASI:



ISO:



Flow: See Performance Chart

Internal Leakage: 368.5 ml/minute (22.5 cu. in./minute) at 207 bar (3000 psi)

Temperature: -40 to 120°C with standard Buna N seals

Filtration: See page 9.010.1

Fluids: Mineral-based or synthetics with lubricating properties at viscosities of 7.4 to 420 cSt (50 to 2000 ssu)

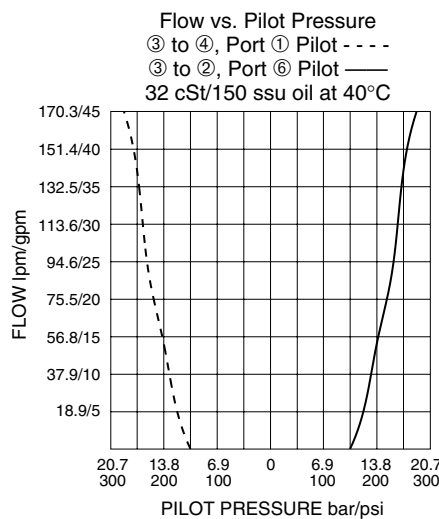
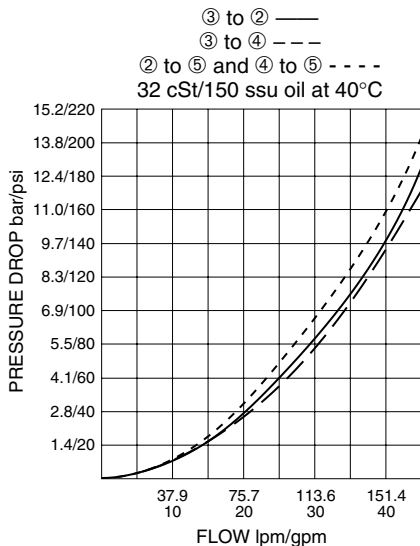
Installation: No restrictions; See page 9.020.1

Cavity: VC42-S6; See page 9.142.1

Cavity Tool: CT42-S6; See page 8.600.1

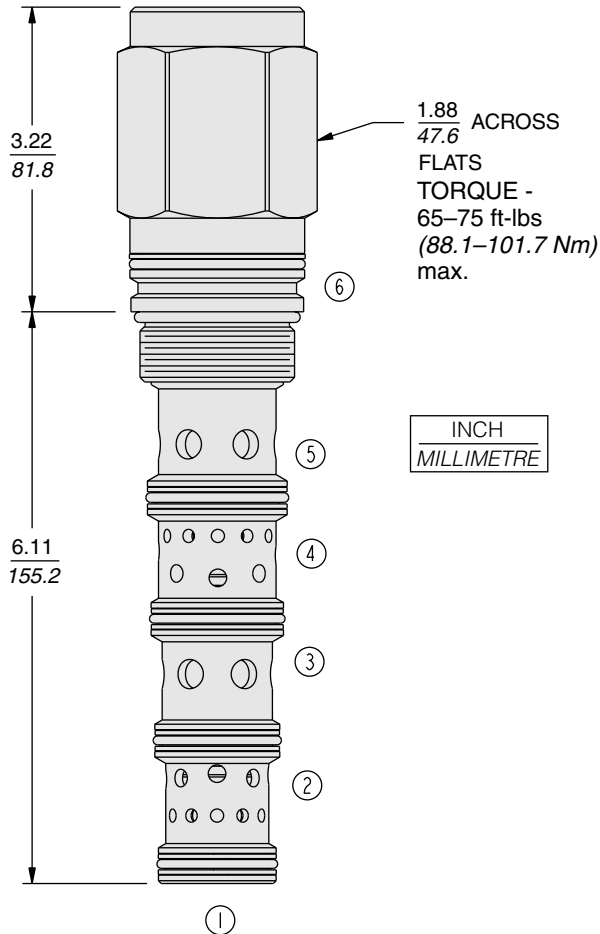
Seal Kit: SK42-S6X-BMMMM; See page 8.650.1

PERFORMANCE (Cartridge Only)



DIMENSIONS

U.S. Patent 6,554,014



MATERIALS

Cartridge: Weight: 0.76 kg. (1.68 lbs.);
Steel with hardened work surfaces.
Zinc-plated exposed surfaces.
Buna N O-rings and polyester
elastomer back-ups standard.

Ported Body: Test housing available;
see page 8.042.1

TO ORDER

PE42-S67K - -

Porting
Cartridge Only 0

Seals
N Buna N (Std.)
P Polyurethane (for pressures over 240 bar/3500 psi)
V Fluorocarbon