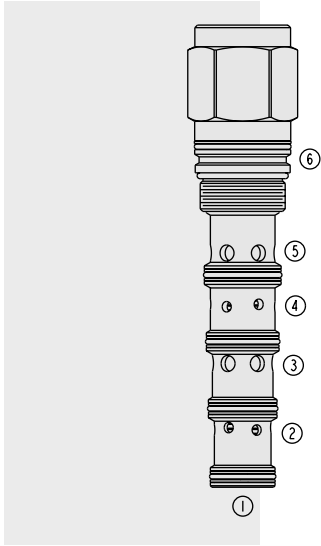


DIRECTIONAL VALVES

PD42-S67B Piloted, 4-Way Spool-Type Valve



DESCRIPTION

A screw-in, cartridge-style, pilot-operated spool-type hydraulic directional valve.

OPERATION

When the PD42-S67B is in neutral position, flow is allowed between ports ②, ③ and ⑤. When the remote pilot signal at ① exceeds the force of the bias spring, the spool shifts to allow flow between ③ and ④, and between ② and ⑤. On remote pilot signal at ⑥, the spool shifts to allow flow between ③ and ②, and between ④ and ⑤.

FEATURES

- Hardened spool and cage for long life.

RATINGS

Operating Pressure: 342 bar (4700 psi) at ports ②, ③ and ④;
28 bar (400 psi) at ports ① and ⑥ with standard Buna N seals.

Flow: 0–189 lpm (0–50 gpm); See Performance Chart

Temperature: -40 to 120°C with Buna N seals

Filtration: See page 9.010.1

Fluids: Mineral-based or synthetics with lubricating properties at viscosities of 7.4 to 420 cSt (50 to 2000 ssu)

Installation: No restrictions; See page 9.020.1

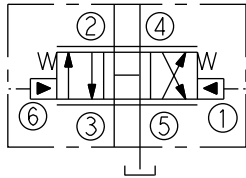
Cavity: VC42-S6; See page 9.142.1

Cavity Tool: CT42-S6X; See page 8.600.1

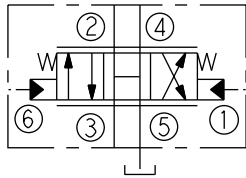
Seal Kit: SK42-S6X-BMMMM; See page 8.650.1

SYMBOLS

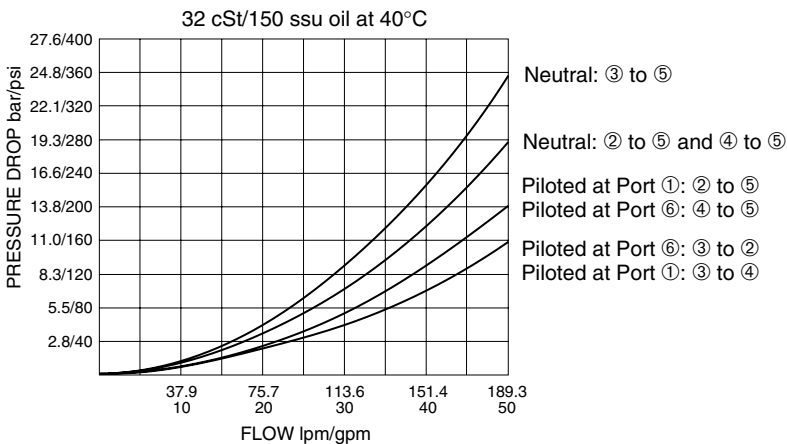
USASI:



ISO:

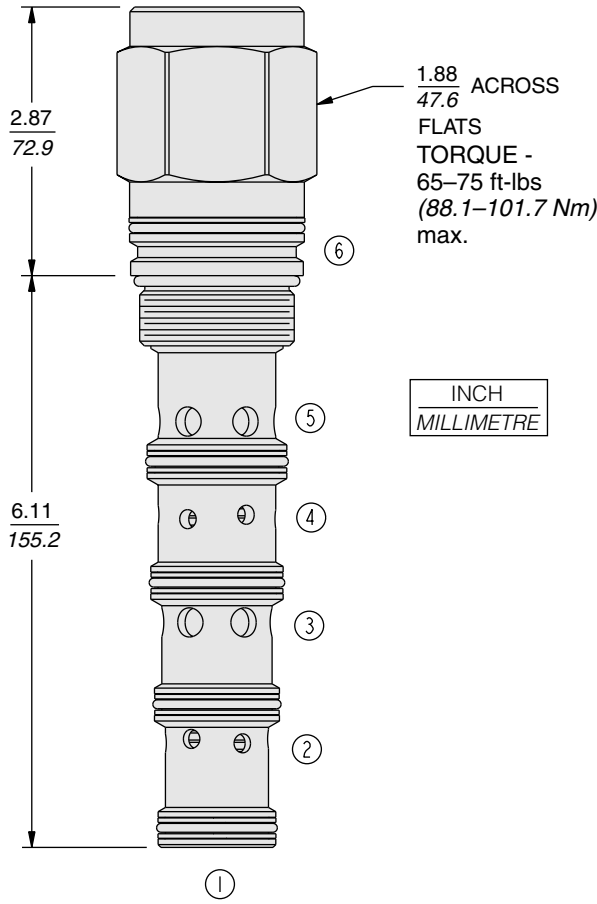


PERFORMANCE (Cartridge Only)



PD42-S67B

DIMENSIONS



MATERIALS

Cartridge: Weight: 1.6 kg. (3.5 lbs.);
Steel with hardened work surfaces.
Zinc-plated exposed surfaces.
Buna N O-rings and polyester
elastomer back-ups standard.

Test Body: Consult Factory

TO ORDER

PD42-S67B - - -170[‡]

Porting
Cartridge Only 0

*170 psi (11.7 bar) bias spring
standard. Optional bias springs
considered on OEM request.

Seals
N Buna N (Std.)
P Polyurethane (for pressures over 240 bar/3500 psi)
V Fluorocarbon