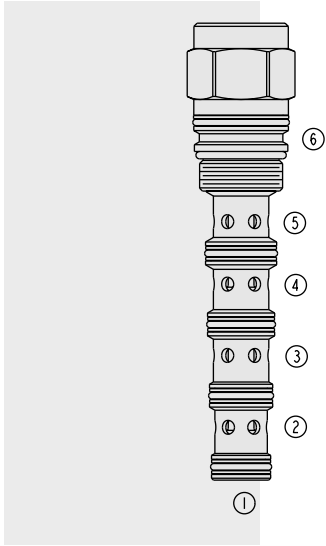


# DIRECTIONAL VALVES

## PD16-S61N Piloted 4-Way Spool



### DESCRIPTION

A screw-in, cartridge-style, pilot-operated, spool-type, hydraulic directional valve.

### OPERATION

When in neutral the PD16-S61N allows flow between ports ② and ③, and between ports ④ and ⑤. On remote pilot signal at ①, the valve's spool shifts to allow flow between ③ and ④ while blocking ② and ⑤. The spring chamber is vented to the tank through port ⑥. The vented spring chamber allows the valve to be fully pressurized at ports ①, ②, ③, ④ and ⑤ without affecting required pilot pressure. Pressure at port ⑥ will affect required pilot pressure.

### FEATURES

- Hardened spool and cage for long life.
- 60, 110 and 170 psi bias springs available.

### RATINGS

**Operating Pressure:** 240 bar (3500 psi)

**Flow:** 0–151 lpm (0–40 gpm); See Performance Chart

**Maximum Internal Leakage:** at 207 bar (3000 psi): 164 ml/minute (10 cu. in./minute)

**Pilot Pressure Required:** 4.1 bar (60 psi) minimum

**Oil Volume Required to Full Shift:** 1.5 cc (0.09 cu. in.)

**Temperature:** -40 to 120°C

**Filtration:** See page 9.010.1

**Fluids:** Mineral-based or synthetics with lubricating properties at viscosities of 7.4 to 420 cSt (50 to 2000 ssu)

**Installation:** No restrictions; See page 9.020.1

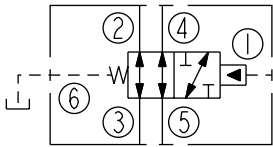
**Cavity:** VC16-S6; See page 9.116.1

**Cavity Tool:** CT16-S6XX; See page 8.600.1

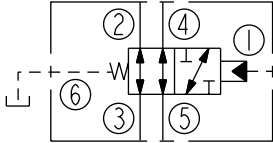
**Seal Kit:** SK16-S6X-BMMMM; See page 8.650.1

### SYMBOLS

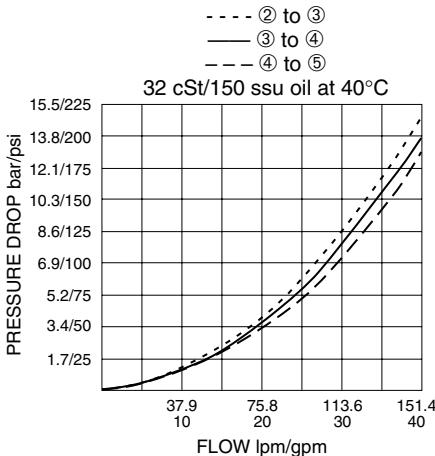
#### USASI:



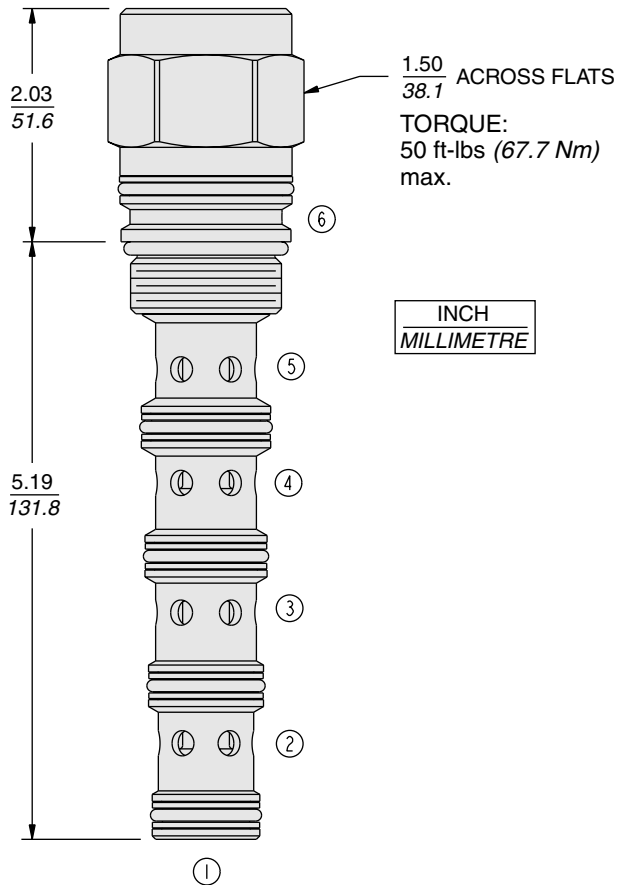
#### ISO:



### PERFORMANCE (Cartridge Only)



**DIMENSIONS**



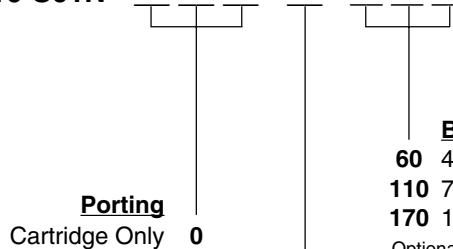
**MATERIALS**

**Cartridge:** Weight: 0.25 kg. (0.55 lbs.);  
Steel with hardened work surfaces.  
Zinc-plated exposed surfaces. Buna N O-rings and polyester elastomer back-ups standard.

**Ported Body:** Consult factory.

**TO ORDER**

PD16-S61N -



**Bias Spring<sup>†</sup>**

- 60** 4.1 bar (60 psi)
- 110** 7.6 bar (110 psi)
- 170** 11.7 bar (170 psi)

Optional bias springs considered on OEM request.

<sup>†</sup>Note: 110 psi bias spring is the minimum required for use with sealed spool.

**Seals**

- N** Buna N (Std.)
- V** Fluorocarbon
- NS** Buna N w/Sealed Spool ① to ② only
- VS** Fluorocarbon w/Sealed Spool ① to ② only