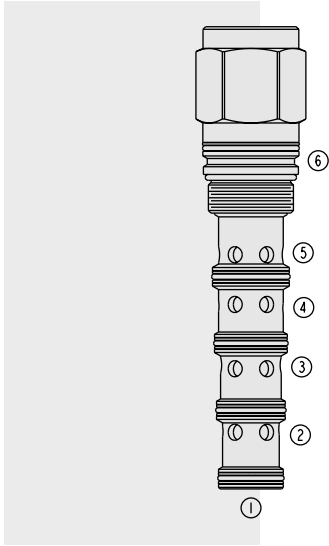


# DIRECTIONAL VALVES

## PD42-S60N Piloted, 2-Position, 4-Way Spool



### DESCRIPTION

A screw-in, cartridge-style, pilot-operated, 2-position, 4-way, spool-type, hydraulic directional valve.

### OPERATION

In the neutral position, the **PD42-S60N** allows flow between ports ② and ③ and from ④ to ⑤. On remote pilot signal at ①, the valve shifts to allow flow between ports ③ and ④, and from ② to ⑤.

The spring chamber is vented to the tank through port ⑥. The vented spring chamber allows the valve to be fully pressurized at ports ①, ②, ③, ④ and ⑤ without affecting required pilot pressure. Pressure at ⑥ will affect required pilot pressure.

### FEATURES

- Hardened spool and cage for long life.

### RATINGS

**Maximum Operating Pressure:** ports ②, ③ and ④: 324 bar (4700 psi);  
Port ①: 28 bar (400 psi)

**Flow:** 0 to 189 lpm (0 to 50 gpm); See Performance Chart

**Internal Leakage:** Maximum leakage at 207 bar (3000 psi):  
1.31 liters/minute (80 cu. in./minute).

**Temperature:** -40 to 120°C (-40 to 248°F)

**Filtration:** See page 9.010.1

**Fluids:** Mineral-based or synthetics with lubricating properties at viscosities of  
7.4 to 420 cSt (50 to 2000 sus)

**Installation:** No restrictions; See page 9.020.1

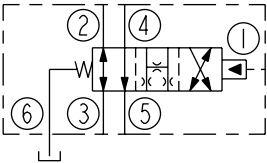
**Cavity:** VC42-S6; See page 9.142.1

**Cavity Tool:** CT42-S6XX; See page 8.600.1

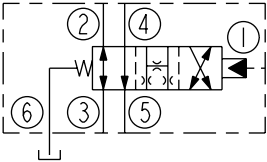
**Seal Kit:** SK42-S6X-BMMMM; See page 8.650.1

### SYMBOLS

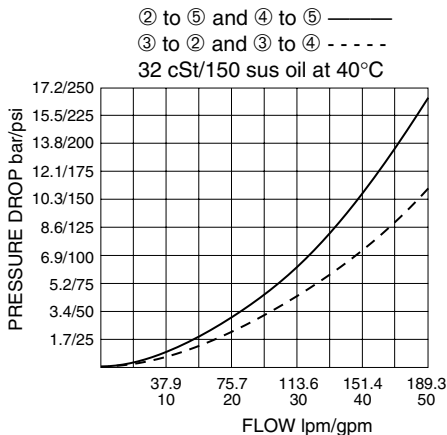
#### USASI:



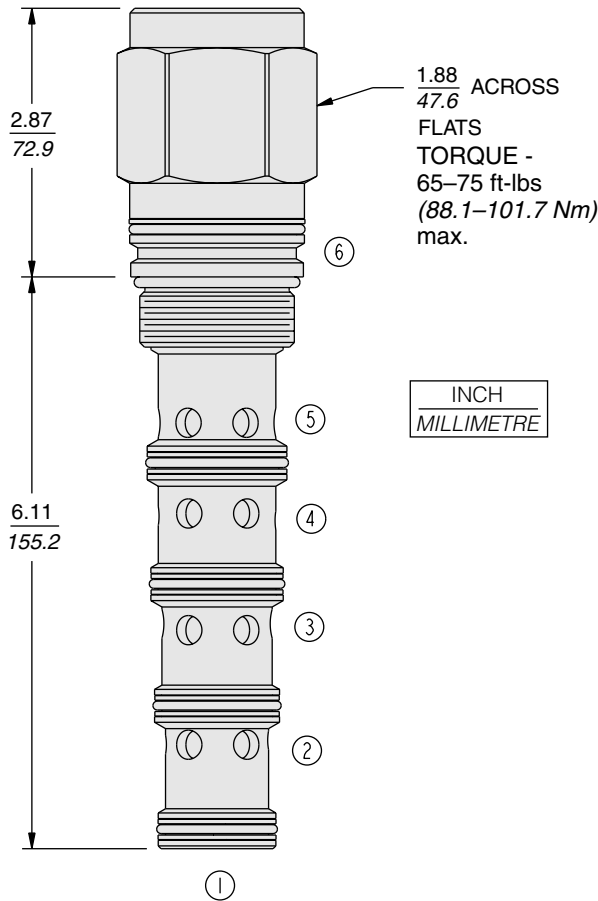
#### ISO:



### PERFORMANCE (Cartridge Only)



**DIMENSIONS**



**MATERIALS**

**Cartridge:** Weight: 1.6 kg. (3.5 lbs.);  
Steel with hardened work surfaces.  
Zinc-plated exposed surfaces.  
Buna N O-rings and polyester  
elastomer back-ups standard.

**Test Body:** Consult Factory

**TO ORDER**

**PD42-S60N - - -170<sup>‡</sup>**

**Porting**  
Cartridge Only 0

<sup>‡</sup>170 psi (11.7 bar) bias spring  
standard. Optional bias springs  
considered on OEM request.

**Seals**

- N** Buna N (Std.)
- NS** Buna N with Sealed Spool between ① and ②
- P** Polyurethane
- PS** Polyurethane with Sealed Spool between ① and ②
- V** Fluorocarbon
- VS** Fluorocarbon with Sealed Spool between ① and ②