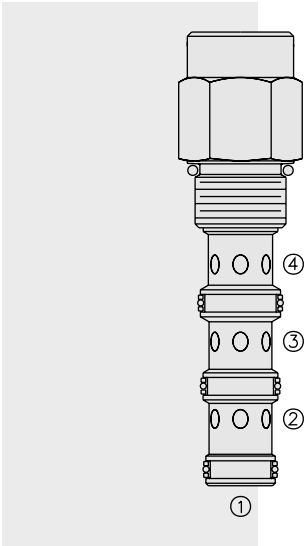


DIRECTIONAL VALVES

PD12-41 Piloted 3-Way Spool, Internal Vent



DESCRIPTION

A screw-in, cartridge-style, pilot-operated, spool-type, hydraulic directional valve for three-way circuits requiring remote pilot actuation.

OPERATION

In neutral (unpiloted), the PD12-41 allows flow from ③ to ④. ② is blocked.

On remote pilot signal at ①, the valve shifts to open from ③ to ②, while blocking flow to ④.

Since ④ is common to the spring chamber, pressure on ④ will directly (1:1) affect the pilot pressure required, and must always be added to the bias spring value.

Note: Consult factory for applications where bi-directional flow is required when the valve is in the normal or spring-offset position.

FEATURES

- Hardened spool and cage for long life.
- Cost effective cavity.

RATINGS

Operating Pressure: 240 bar (3500 psi)

Proof Pressure: 420 bar (6090 psi)

Flow: See Performance Chart

Internal Leakage: 115 cc/minute (7 cu. in./minute) max. at 207 bar (3000 psi)

Pilot Pressure Required Using 7.6 bar (110 psi) Spring:

To Spool Crossover: 7.6 bar (110 psi)

To Full Spool Shift: 9.1 bar (132 psi)

Oil Volume Required to Full Shift: 1.32 cc (0.08 cu. in.)

Temperature: -40 to 120°C with standard Buna seals

Filtration: See page 9.010.1

Fluids: Mineral-based or synthetics with lubricating properties at viscosities of 7.4 to 420 cSt (50 to 2000 ssu)

Installation: No restrictions; See page 9.020.1

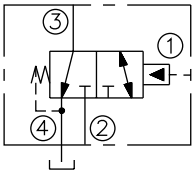
Cavity: VC12-4; See page 9.112.1

Cavity Tool: CT12-4XX; See page 8.600.1

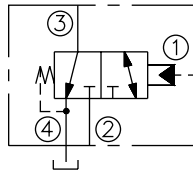
Seal Kit: SK12-4X-MMM; See page 8.650.1

SYMBOLS

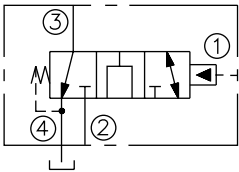
USASI:



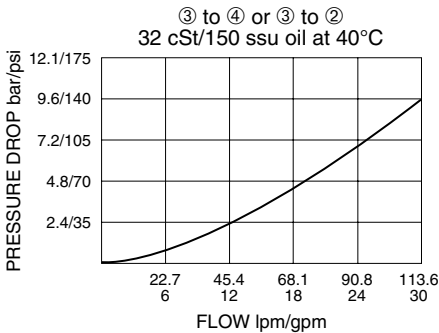
ISO:



OPEN TRANSITION:

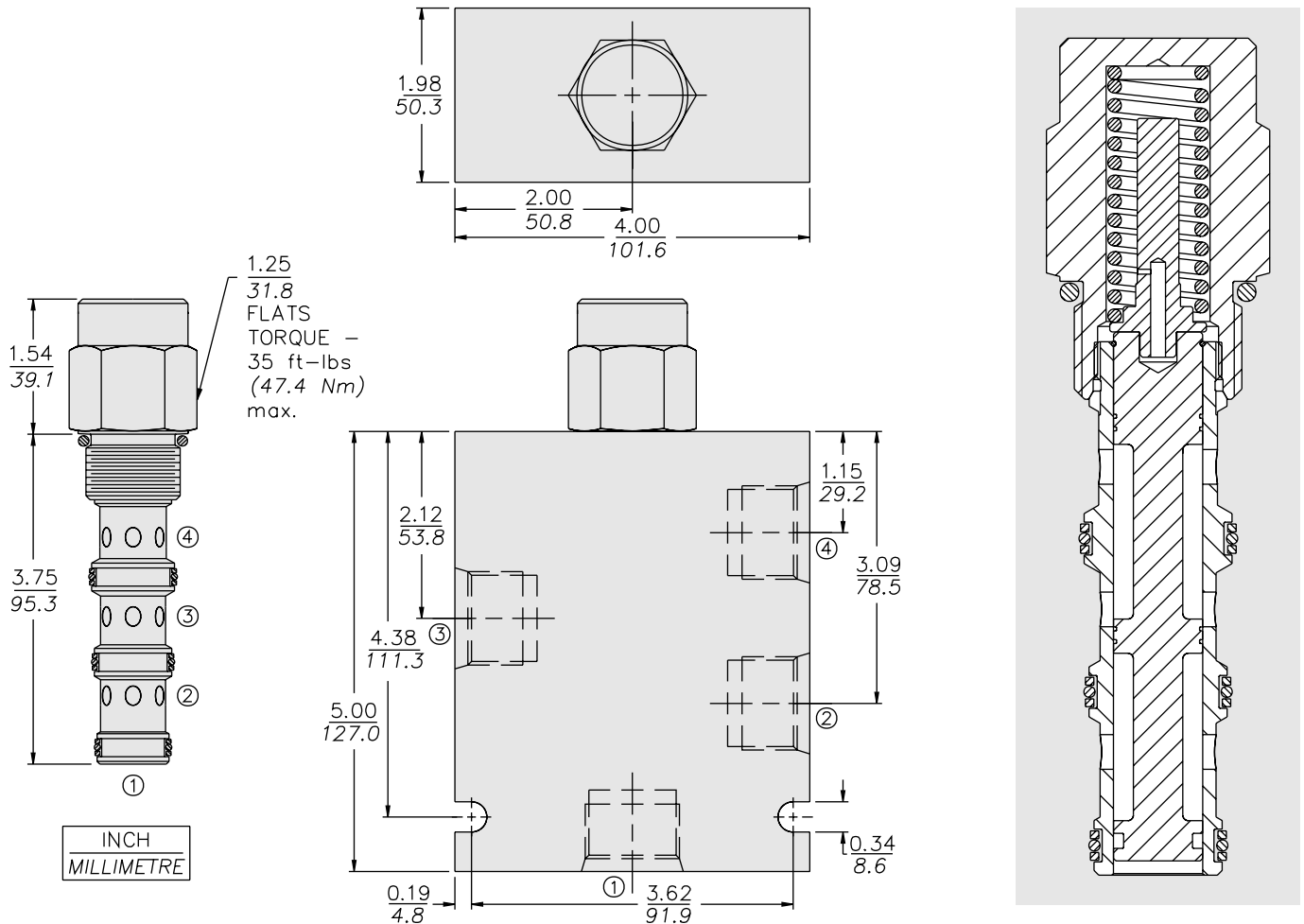


PERFORMANCE (Cartridge Only)



PD12-41

DIMENSIONS



MATERIALS

Cartridge: Weight: 0.28 kg. (0.61 lbs.); Steel with hardened work surfaces; Zinc-plated exposed surfaces; Buna N O-rings and polyester elastomer back-ups standard.

Standard Ported Body: Weight: 1.5 kg. (3.3 lbs.); Anodized high-strength 6061 T6 aluminum alloy, rated to 240 bar (3500 psi); See page 8.012.1. Ductile iron and steel bodies available; dimensions may differ; consult factory.

TO ORDER

PD12-41		-	-	-
Option	None (Blank)			
Open Transition	N			
Porting				
Cartridge Only	0			
SAE 10	10T			
SAE 12	12T			
				Bias Spring[†]
				60 4.1 bar (60 psi)
				110 7.6 bar (110 psi)
				170 11.7 bar (170 psi)
				Optional bias springs considered on OEM request.
				[†] Note: 110 psi bias spring is the minimum required for use with sealed spool.
				Seals
				N Buna N (Std.)
				NS Buna N with Sealed Spool
				V Fluorocarbon
				VS Fluorocarbon with Sealed Spool