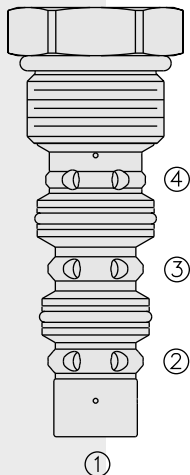


DIRECTIONAL CONTROLS

HS50-43 Low Side (Hot Oil) Shuttle,



DESCRIPTION

A spring-centered, spool-type, closed-in-neutral, 2-position, 3-way hot oil shuttle valve, which may be used on hydrostatic transmissions to direct charge pump oil to a heat exchanger or to tank.

OPERATION

With internal piloting at port ①, ② or ④, the **HS50-43** will direct oil from the port opposite of the piloted port to port ③, thus removing oil from the low-pressure side for cooling or filtration purposes. The valve has a spring-centered spool, and is closed in neutral position.

FEATURES

- Hardened spool and cage for long life.
- Industry common cavity.

RATINGS

Operating Pressure: 345 bar (5000 psi) when used in steel body

Flow Rate: See Performance Chart

Bias Spring Value: 4.1 bar (60 psi)

Internal Leakage: 541 ml/minute (33 cu. in./minute) max. at 345 bar (5000 psi)

Temperature: -40 to 120°C with standard polyurethane seals

Filtration: See page 9.010.1

Fluids: Mineral-based or synthetics with lubricating properties at viscosities of 7.4 to 420 cSt (50 to 2000 ssu)

Installation: No restrictions; See page 9.020.1

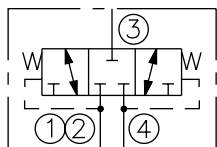
Cavity: VC10-4; See page 9.110.1

Cavity Tool: CT10-4XX; See page 8.600.1

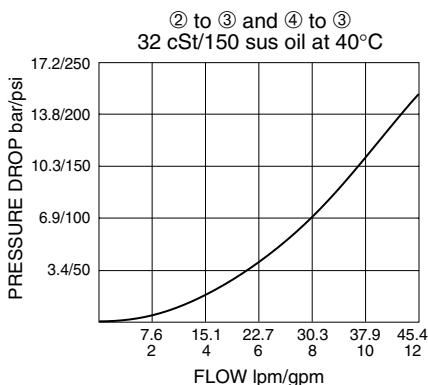
Seal Kit: SK10-4X-MMM, See page 8.650.1

SYMBOLS

USASI/ISO:



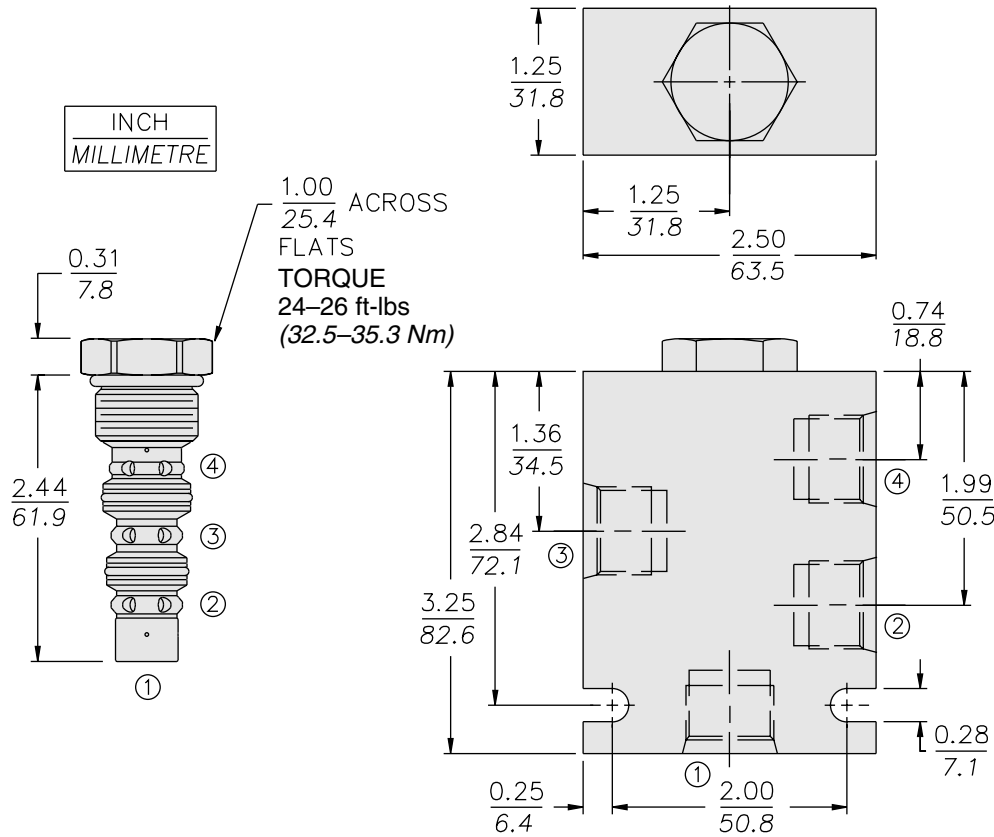
PERFORMANCE (Cartridge Only)



Spring Centered

HS50-43

DIMENSIONS



MATERIALS

Cartridge: Weight: 0.12 kg. (0.27 lbs.); Steel with hardened work surfaces. Zinc-plated exposed surfaces. Polyurethane seals and polyester elastomer back-ups standard.

Ported Body: Weight: 0.68 kg. (1.51 lbs.); Steel, zinc-plated (code "S"); or **Ductile Iron (code "D") standard**, consult factory for weight, dimensions may differ; rated to 345 bar (5000 psi); See page 8.010.1.

TO ORDER

