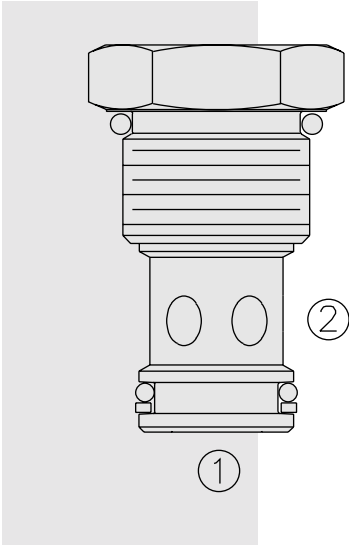


DIRECTIONAL VALVES

CV12-20 Check Valve



DESCRIPTION

A screw-in, cartridge-style, hydraulic check valve for use as a blocking or load-holding device.

OPERATION

The CV12-20 allows flow passage from ① to ②, while normally blocking oil flow in the opposite direction.

The cartridge has a fully guided check which is spring-biased closed until sufficient pressure is applied at ① to open to ②.

FEATURES

- Hardened seat for long life and low leakage.
- Optional bias springs for back-pressure application flexibility.
- Fully guided check assembly.
- Cost effective cavity.

RATINGS

Operating Pressure: 240 bar (3500 psi)

Proof Pressure: 420 bar (6090 psi)

Flow: See Performance Chart

Internal Leakage: 0.25 cc/minute (5 drops/minute) max. at 240 bar (3500 psi)

Crack Pressure Defined: Gauge bar (psi) evident at ① at 16.4 cc/minute (1 cu. in./minute) attained

Standard Bias Springs at Crack: 0.34 bar (5 psi); 1.7 bar (25 psi); 4.1 bar (60 psi)

Temperature: -40 to 120°C

Filtration: See page 9.010.1

Fluids: Mineral-based or synthetics with lubricating properties at viscosities of 7.4 to 420 cSt (50 to 2000 ssu)

Installation: No restrictions; See page 9.020.1

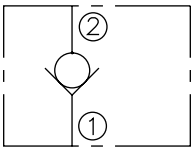
Cavity: VC12-2; See page 9.112.1

Cavity Tool: CT12-2XX; See page 8.600.1

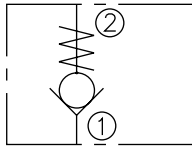
Seal Kit: SK12-2X-T; See page 8.650.1

SYMBOLS

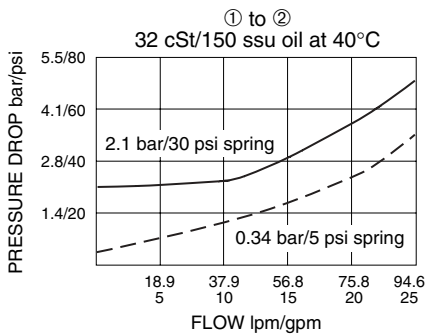
USASI:



ISO:

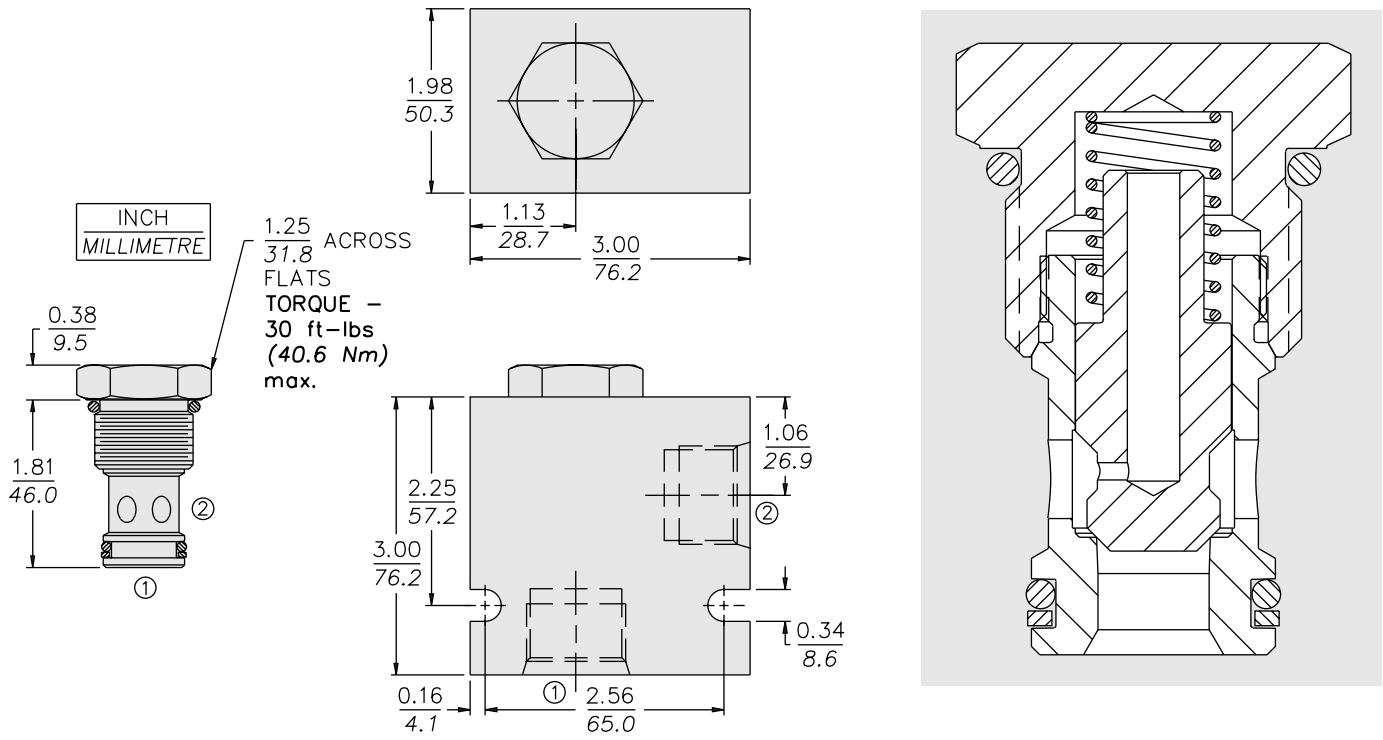


PERFORMANCE (Cartridge Only)



CV12-20

DIMENSIONS



MATERIALS

Cartridge: Weight: 0.18 kg. (0.40 lbs.); Steel with hardened work surfaces. Zinc-plated exposed surfaces. Buna N O-rings and polyester elastomer back-ups standard.

Standard Ported Body: Weight: 0.57 kg. (1.25 lbs.); Anodized high-strength 6061 T6 aluminum alloy, rated to 240 bar (3500 psi); See page 8.012.1. Ductile iron and steel bodies available; dimensions may differ; consult factory.

TO ORDER

CV12-20 -		Bias Spring*	
Porting		5	0.34 bar (5 psi)
Cartridge Only	0	25	1.7 bar (25 psi)
SAE 10	10T	30	2.1 bar (30 psi)
SAE 12	12T	60	4.1 bar (60 psi)
SAE 16	16T		

*Additional springs in development; Consult factory.

Seals

- N** Buna N (Std.)
- V** Fluorocarbon