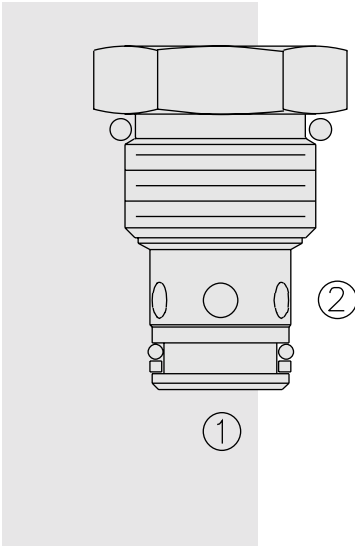


DIRECTIONAL VALVES

CV10-20 Check Valve



DESCRIPTION

A screw-in, cartridge-style, hydraulic check valve for use as a blocking or load-holding device.

OPERATION

The CV10-20 allows flow passage from ① to ②, while normally blocking oil flow in the opposite direction.

The cartridge has a fully guided check which is spring-biased closed until sufficient pressure is applied at ① to open to ②.

FEATURES

- Hardened seat for long life and low leakage.
- Optional bias springs for back-pressure application flexibility.
- Fully guided check assembly.
- Industry common cavity.

RATINGS

Operating Pressure: 240 bar (3500 psi)

Proof Pressure: 350 bar (5075 psi)

Flow: See Performance Chart

Internal Leakage: 0.10 cc/minute (2 drops/minute) max. at 240 bar (3500 psi)

Crack Pressure Defined: Gauge psi evident at ① at 16.4 cc/minute (1 cu. in./minute) attained

Standard Bias Springs at Crack: 0.34 bar (5 psi); 1 bar (15 psi); 2.1 bar (30 psi); 4.8 bar (70 psi); 6.9 bar (100 psi)

Temperature: -40 to 120°C

Filtration: See page 9.010.1

Fluids: Mineral-based or synthetics with lubricating properties at viscosities of 7.4 to 420 cSt (50 to 2000 ssu)

Installation: No restrictions; See page 9.020.1

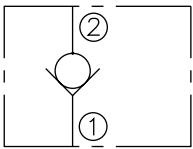
Cavity: VC10-2; See page 9.110.1

Cavity Tool: CT10-2XX; See page 8.600.1

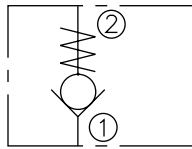
Seal Kit: SK10-2X-T; See page 8.650.1

SYMBOLS

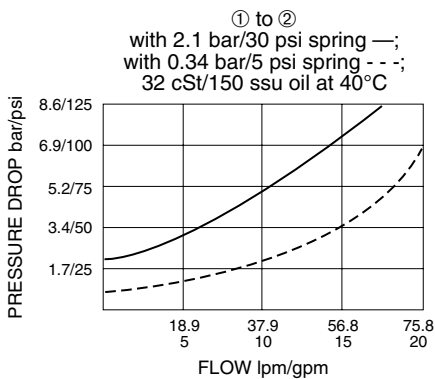
USASI:



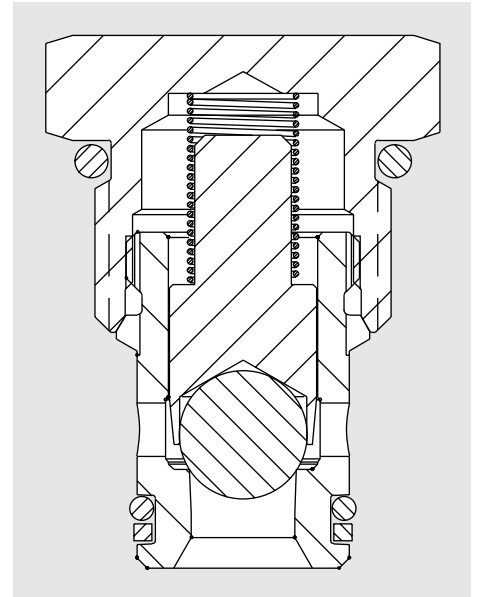
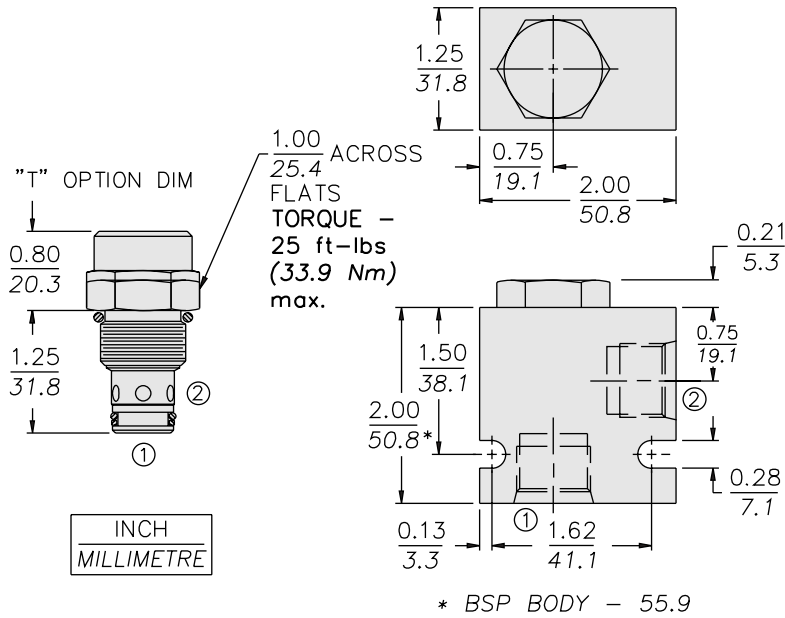
ISO:



PERFORMANCE (Cartridge Only)



DIMENSIONS



MATERIALS

Cartridge: Weight: 0.08 kg. (0.17 lbs.); Steel with hardened work surfaces; Zinc-plated exposed surfaces; Buna N O-rings and polyester elastomer back-ups standard.

Standard Ported Body: Weight: 0.16 kg. (0.35 lbs.); Anodized high-strength 6061 T6 aluminum alloy, rated to 240 bar (3500 psi); See page 8.010.1. Ductile iron and steel bodies available; dimensions may differ; consult factory.

TO ORDER

CV10-20 - - - -		
"T" Option*	T	
*Required for 300 psi Spring		
Porting		Bias Spring
Cartridge Only	0	5 0.34 bar (5 psi)
SAE 6	6T	15 1 bar (15 psi)
SAE 8	8T	30 2.1 bar (30 psi)
1/4 in. BSP*	2B	40 2.8 bar (40 psi)
3/8 in. BSP*	3B	70 4.8 bar (70 psi)
1/2 in. BSP*	4B	100 6.9 bar (100 psi)
		200 13.6 bar (200 psi)
		300 20.4 bar (300 psi)*
		*Requires "T" Option
		Seals
		N Buna N (Std.)
		V Fluorocarbon