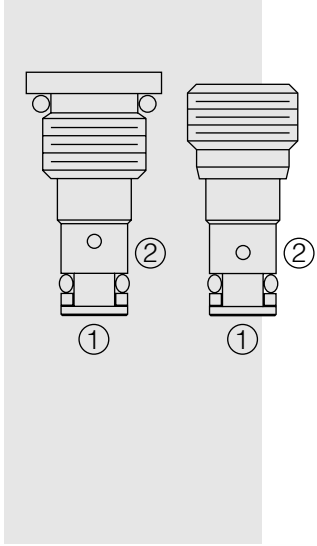


DIRECTIONAL VALVES

CV04-20 & CV04-B20 Check Valves



DESCRIPTION

A screw-in, cartridge-style, hydraulic check valve for use as a blocking or load-holding device. Available in conventional surface mount or convenient "down-hole" versions.

OPERATION

The **CV04-20** and **CV04-B20** allow flow passage from ① to ②, while normally blocking oil flow in the opposite direction.

The cartridge has a fully guided check which is spring-biased closed until sufficient pressure is applied at ① to open to ②.

FEATURES

- Hardened seat for long life and low leakage.
- Optional bias springs for back-pressure application flexibility.
- Fully guided check assembly.
- Miniature size.
- Fast closing and seating.

RATINGS

Operating Pressure: 241.3 bar (3500 psi)

Flow: See Performance Chart

Internal Leakage: 0.10 cc/minute (2 drops/minute) max. at 206.8 bar (3000 psi)

Crack Pressure Defined: Gauge psi evident at ① at 16.4 cc/minute (1 cu. in./minute) attained

Standard Bias Springs at Crack: 0.34 bar (5 psi)

Temperature: -40 to 120°C

Filtration: Recommend 25µ nominal or better; See page 9.010.1

Fluids: Mineral-based or synthetics with lubricating properties at viscosities of 7.4 to 420 cSt (50 to 2000 ssu)

Installation: No restrictions

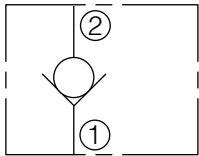
Cavity: VC04-2 or VC04-B2; See page 9.104.1

Cavity Tool: CT04-2xx or CT04-B2x

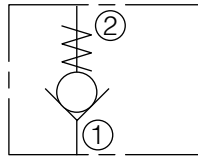
Seal Kit: For CV04-20: SK04-2X-T; For CV04-B20: SK04-B2X-T

SYMBOLS

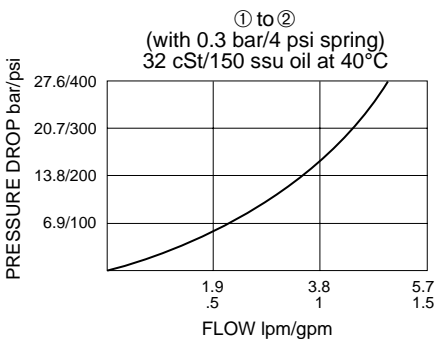
USASI:



ISO:

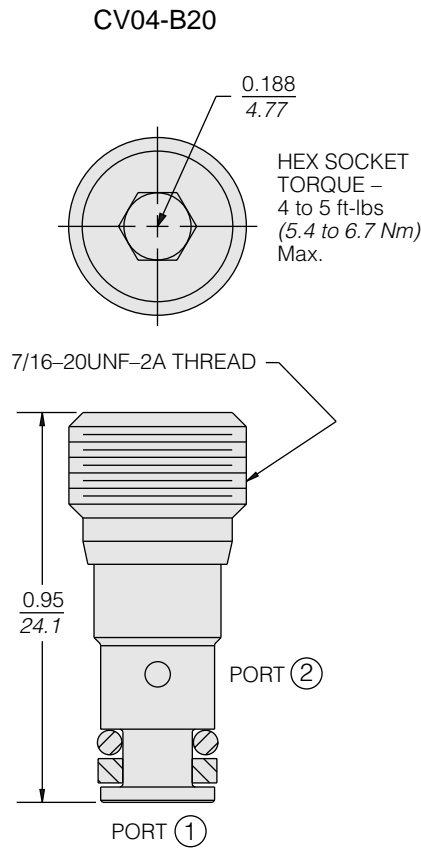
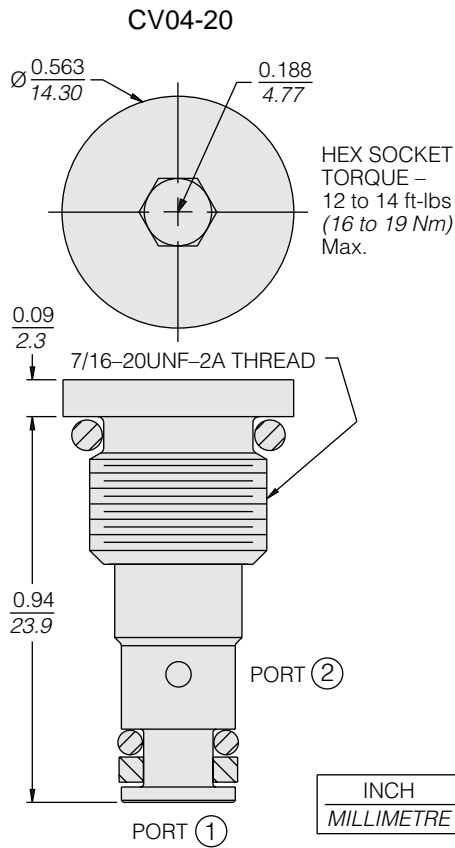


PERFORMANCE (Cartridge Only)

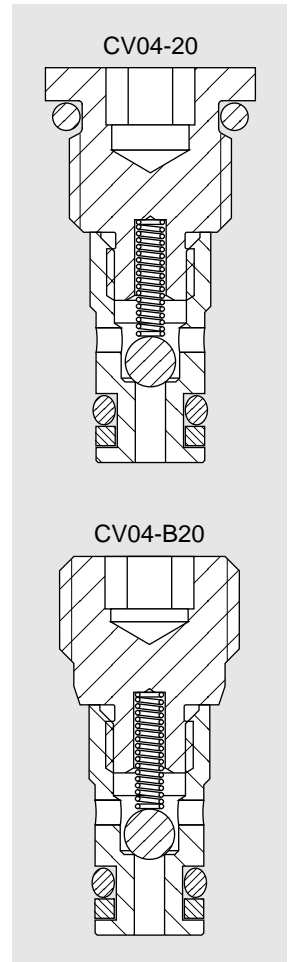


CV04-20 & CV04-B20

DIMENSIONS



INCH
MILLIMETRE



MATERIALS

Cartridge: Weight: 0.05 kg. (0.12 lbs.); Steel with hardened work surfaces; Zinc-plated exposed surfaces; Buna N O-rings and back-up standard.

TO ORDER

