

Cavity Plugs

STANDARD CAVITY PLUGS

Standard HydraForce cavity plugs seal all access to a cavity.

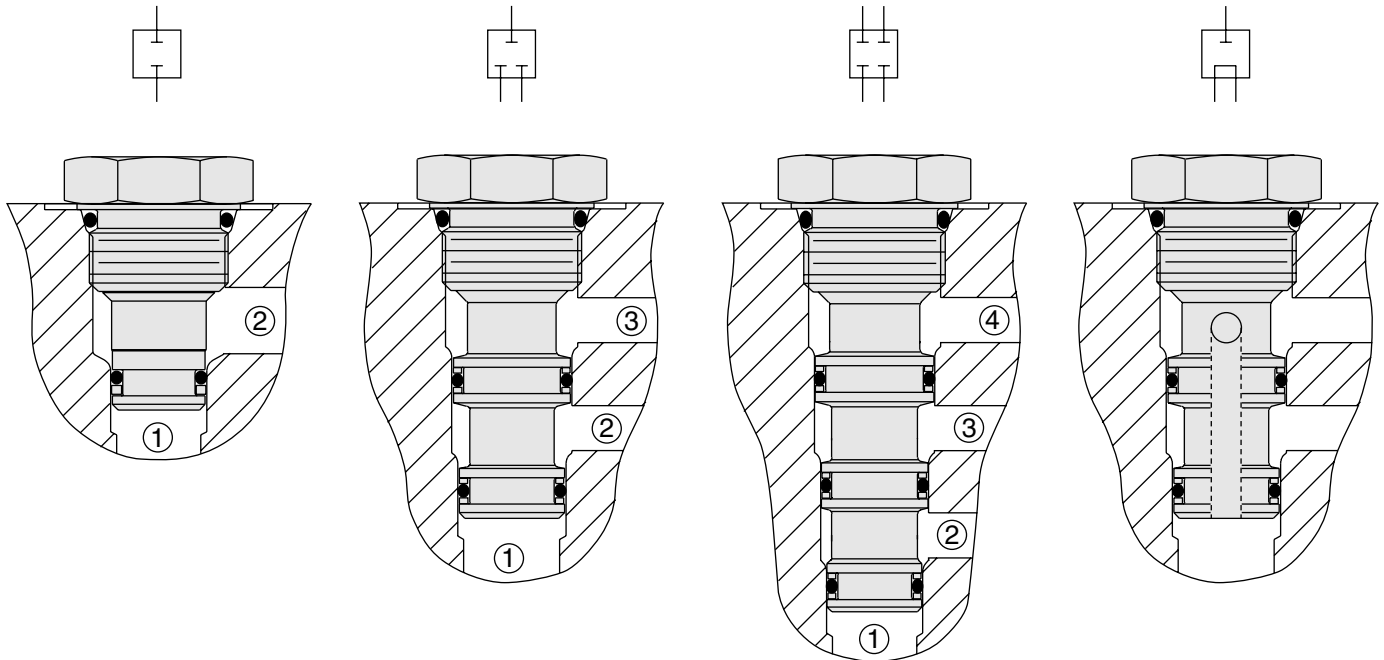
2-Way Cavity CPXX-20-X

3-Way Cavity CPXX-30-X

4-Way Cavity CPXX-40-X

OPTIONAL PLUGS

Special-purpose plugs are available; See Ordering Table.



ORDERING INFORMATION

CP		Seals	
Cavity Thread Size		N	Buna N (Std.)
3/4—16	08	V	Fluorocarbon
7/8—14	10	P	Polyurethane
1-1/16—12	12		
1-5/16—12	16		
1-5/8—12	20		
M42 x 2	42		
Cavity Type		Design Type (X = Blocked; O = Open)	
Two-Way	2		
Three-Way	3		
Three-Way Short	S3		
Four-Way	4		
**Five-Way	5		
**Six-Way	6		
** Consult factory			

	2-Ways		3-Ways			4-Ways			
	1	2	1	2	3	1	2	3	4
0	x	x	x	x	x	x	x	x	x
A			o	o	x	o	o	o	x
B†			o	x	o	o	o	x	o
C			x	o	o	o	x	o	o
D						x	o	o	o
E						o	o	x	x
F						o	x	o	x
G						x	o	o	x
H						o	x	x	o
I						x	o	x	o
J						x	x	o	o
K	o	o							
L*						o	o	o	o

† For CP08-4B, use CP08-3B

* Open 1 to 2; Open 3 to 4