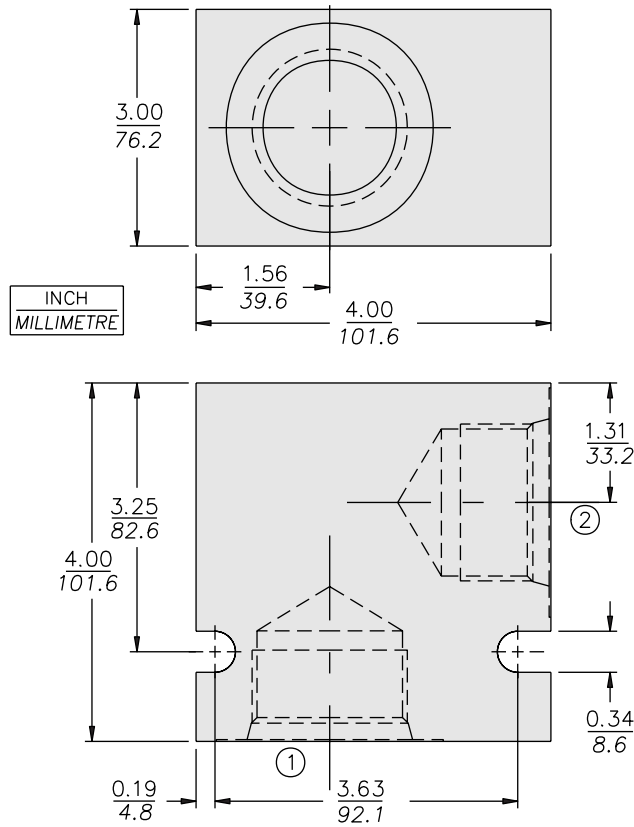


# Series 42 Valve Housings

## 2-WAY



SERIES 42 2-WAY HOUSINGS					
Code	Part No.	Material	Port 1	Port 2	Mfg. Loc.
20T	7022580	Alum.	SAE 20	SAE 20	U.S.

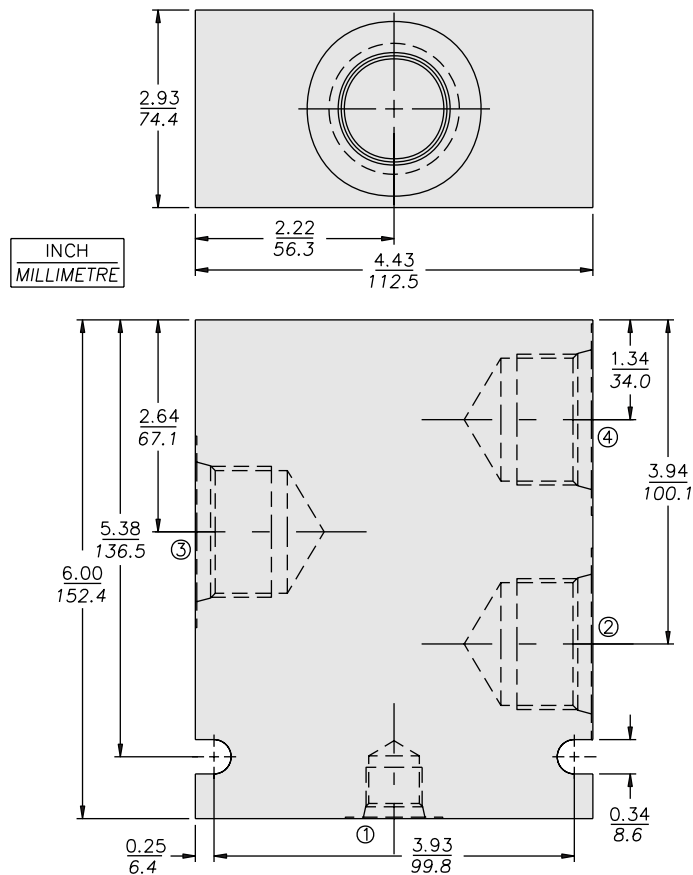
Note: Illustrations and dimensions shown on these pages are for Aluminum housings only. Ductile Iron and Steel housings are dimensionally different. Consult factory.

HYDRAFORCE STANDARD VALVE HOUSINGS			
MATERIAL	OPERATING PRESSURE	PORTS	MFG. LOCATION
Aluminum, 6061 T6511, Clear Anodized	240 bar (3500 psi)	SAE	U.S.
Aluminum, 6082 TF, Gold Tint	240 bar (3500 psi)	BSP	U.K.
Ductile Iron,	350 bar (5000 psi)	SAE	U.S.
Ductile Iron,	350 bar (5000 psi)	BSP	U.K.
Steel, Low carbon	350 bar (5000 psi)	SAE	U.S.
Steel, 220 M 07, Zinc Plated	350 bar (5000 psi)	BSP	U.K.

# HOUSINGS AND ACCESSORY PRODUCTS

## Series 42 Valve Housings

### 4-WAY



SERIES 42 4-WAY HOUSINGS							
Code	Part No.	Material	Port 1	Port 2	Port 3	Port 4	Mfg. Loc.
16T	7029540	Alum.	SAE 6	SAE 16	SAE 16	SAE 16	U.S.
16TD	7154310	Ductile	SAE 6	SAE 16	SAE 16	SAE 16	U.S.
16TS	7029760	Steel	SAE 6	SAE 16	SAE 16	SAE 16	U.S.
20T	7029550	Alum.	SAE 6	SAE 20	SAE 20	SAE 20	U.S.
20TD	7154320	Ductile	SAE 6	SAE 20	SAE 20	SAE 20	U.S.
20TS	7029770	Steel	SAE 6	SAE 20	SAE 20	SAE 20	U.S.

Note: Illustrations and dimensions shown on these pages are for Aluminum housings only. Ductile Iron and Steel housings are dimensionally different. Consult factory.