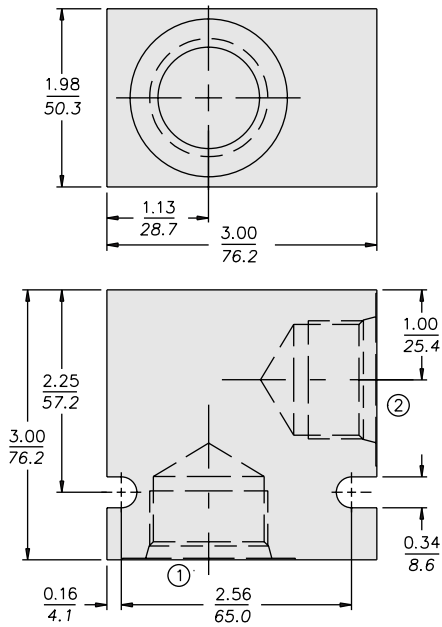


HOUSINGS AND ACCESSORY PRODUCTS

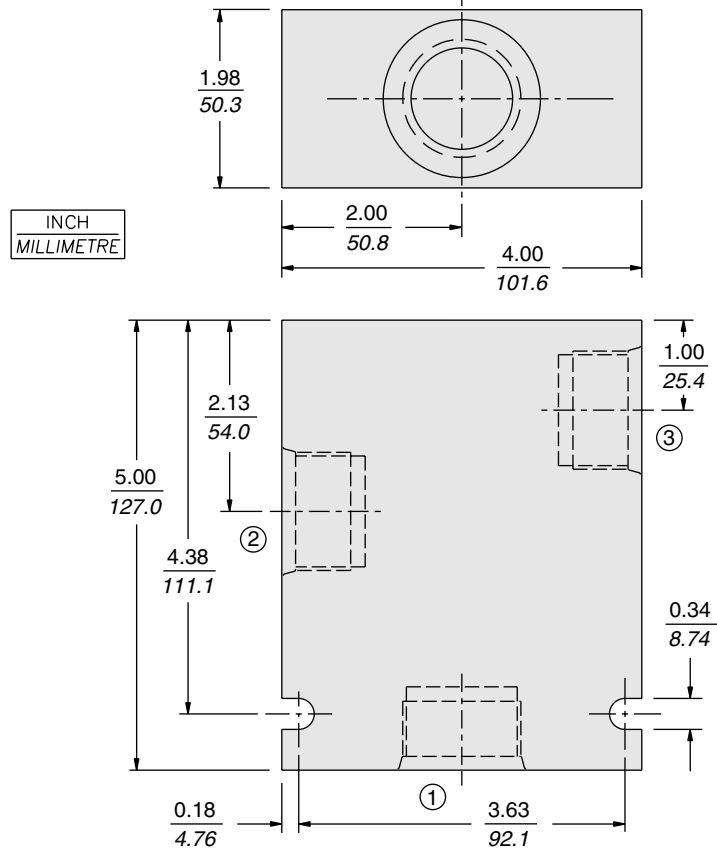
Series 16 Valve Housings

2-WAY STANDARD



SAE 16 Ported Housing Illustrated

3-WAY STANDARD



INCH
MILLIMETRE

SERIES 16 2-WAY HOUSINGS

Code	Part No.	Material	Port 1	Port 2	Mfg. Loc.
12T	7023230	Alum.	SAE 12	SAE 12	U.S.
12TD	7152010	Ductile	SAE 12	SAE 12	U.S.
12TS	7029230	Steel	SAE 12	SAE 12	U.S.
16T	7023240	Alum.	SAE 16	SAE 16	U.S.
6B	7023610	Alum.	3/4" BSP	3/4" BSP	U.K.
6BD	7152040	Ductile	3/4" BSP	3/4" BSP	U.K.
6BS	7150510	Steel	3/4" BSP	3/4" BSP	U.K.
8B	7023620	Alum.	1" BSP	1" BSP	U.K.

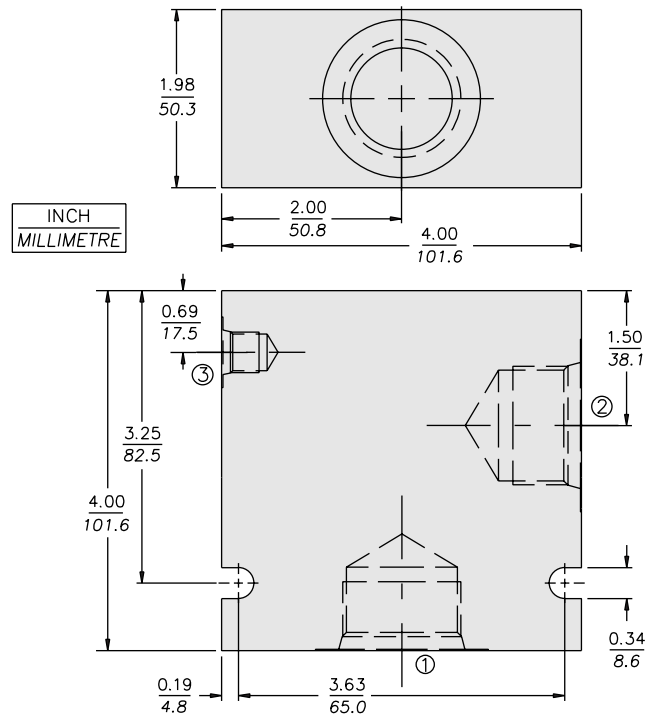
SERIES 16 3-WAY HOUSINGS

Code	Part No.	Material	Port 1	Port 2	Port 3	Mfg. Loc.
12T	7022650	Alum.	SAE 12	SAE 12	SAE 12	U.S.
16T	7022660	Alum.	SAE 16	SAE 16	SAE 16	U.S.

Note: Illustrations and dimensions shown on these pages are for Aluminum housings only. Ductile Iron and Steel housings are dimensionally different. Consult factory.

Series 16 Valve Housings

3-WAY SHORT



SAE 16 Ported Housing Illustrated

SERIES 16 3-WAY SHORT HOUSINGS						
Code	Part No.	Material	Port 1	Port 2	Port 3	Mfg. Loc.
16T	7023340	Alum.	SAE 16	SAE 16	SAE 6	U.S.

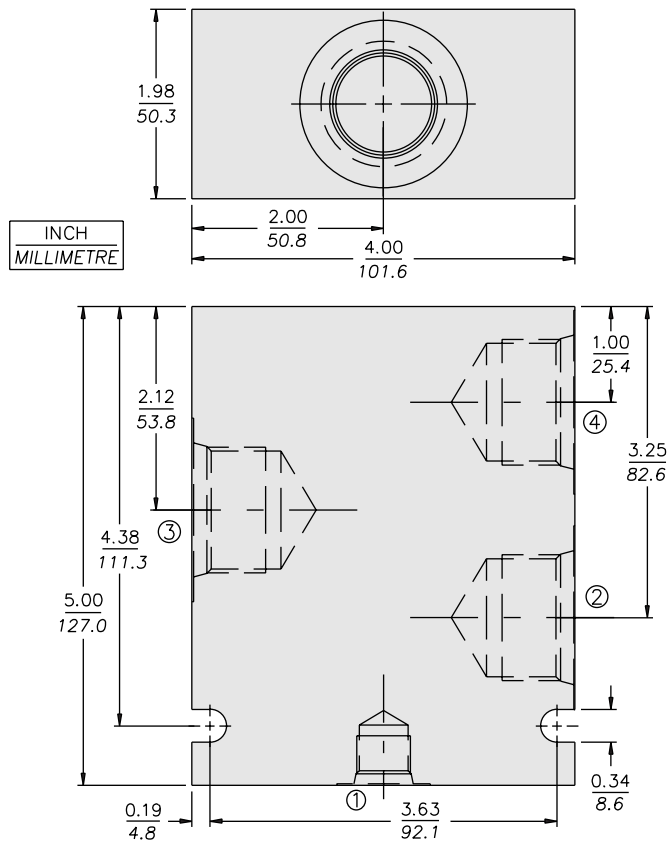
Note: Illustrations and dimensions shown on these pages are for Aluminum housings only. Ductile Iron and Steel housings are dimensionally different. Consult factory.

HYDRAFORCE STANDARD VALVE HOUSINGS			
MATERIAL	OPERATING PRESSURE	PORTS	MFG. LOCATION
Aluminum, 6061 T6511, Clear Anodized	240 bar (3500 psi)	SAE	U.S.
Aluminum, 6082 TF, Gold Tint	240 bar (3500 psi)	BSP	U.K.
Ductile Iron,	350 bar (5000 psi)	SAE	U.S.
Ductile Iron,	350 bar (5000 psi)	BSP	U.K.
Steel, Low carbon	350 bar (5000 psi)	SAE	U.S.
Steel, 220 M 07, Zinc Plated	350 bar (5000 psi)	BSP	U.K.

HOUSINGS AND ACCESSORY PRODUCTS

Series 16 Valve Housings

4-WAY STANDARD



PD Type with SAE 16 Ported Housing Illustrated

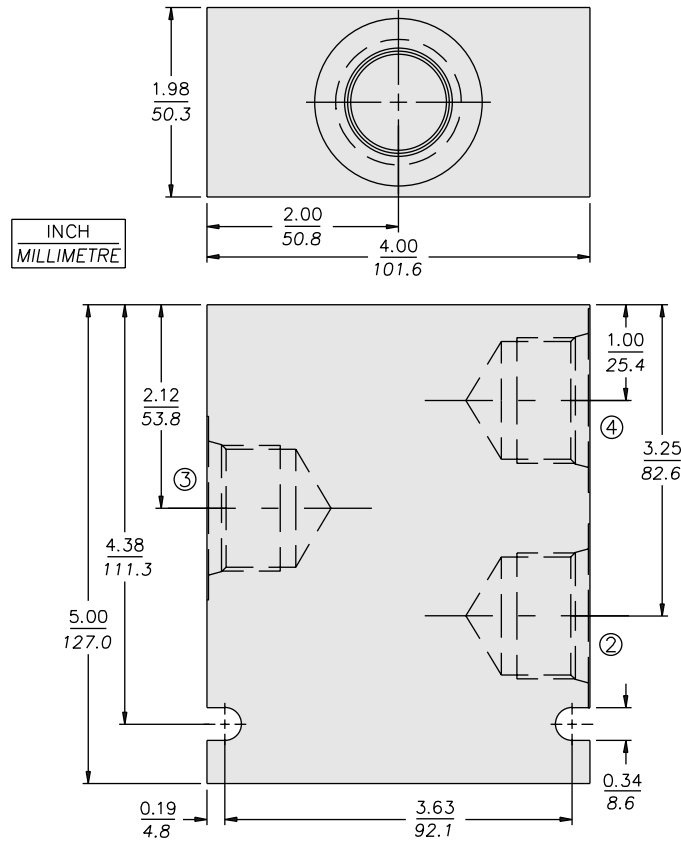
SERIES 16 4-WAY HOUSINGS							
Code	Part No.	Material	Port 1	Port 2	Port 3	Port 4	Mfg. Loc.
6B	7023810	Alum.	3/8" BSP	3/4" BSP	3/4" BSP	3/4" BSP	U.K.
8B	7023820	Alum.	3/8" BSP	1" BSP	1" BSP	1" BSP	U.K.
12T*	7023450	Alum.	SAE 6	SAE 12	SAE 12	SAE 12	U.S.
16T*	7023470	Alum.	SAE 6	SAE 16	SAE 16	SAE 16	U.S.

*PD-TYPE BODY

Note: Illustrations and dimensions shown on these pages are for Aluminum housings only. Ductile Iron and Steel housings are dimensionally different. Consult factory.

Series 16 Valve Housings

4-WAY 3-PORT SPECIAL PURPOSE



SAE 16 Ported Housing Illustrated

SERIES 16 4-WAY 3-PORT SPECIAL PURPOSE HOUSINGS							
Code	Part No.	Material	Port 1	Port 2	Port 3	Port 4	Mfg. Loc.
12T	7023440	Alum.	—	SAE 12	SAE 12	SAE 12	U.S.
16D	7023480	Alum.	—	SAE 12	SAE 16	SAE 12	U.S.
16T	7023460	Alum.	—	SAE 16	SAE 16	SAE 16	U.S.
6B	7029140	Alum.	—	3/4" BSP	3/4" BSP	3/4" BSP	U.K.
7B	7029160	Alum.	—	3/4" BSP	1" BSP	3/4" BSP	U.K.
8B	7029150	Alum.	—	1" BSP	1" BSP	1" BSP	U.K.

Note: Illustrations and dimensions shown on these pages are for Aluminum housings only. Ductile Iron and Steel housings are dimensionally different. Consult factory.