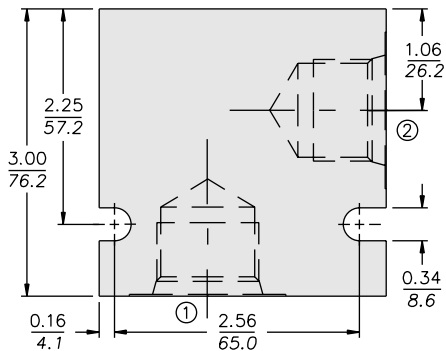
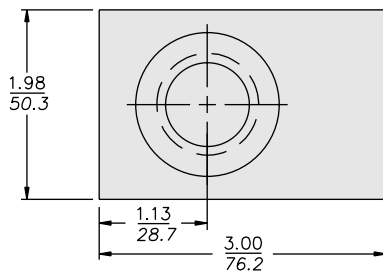


HOUSINGS AND ACCESSORY PRODUCTS

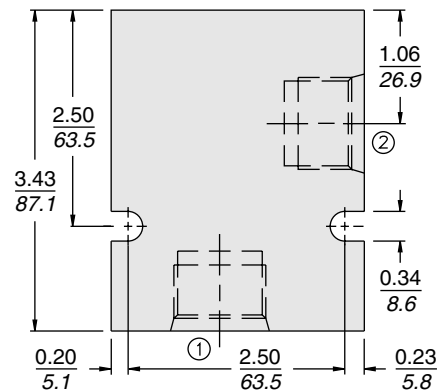
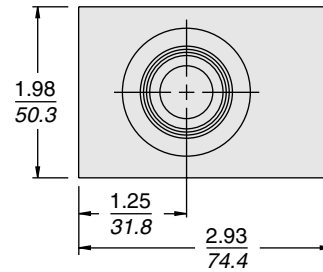
Series 12 Valve Housings

2-WAY



SAE 12 Ported Housing Illustrated

2-WAY 12-L2



INCH
MILLIMETRE

| SERIES 12 2-WAY HOUSINGS | | | | | |
|--------------------------|----------|----------|----------|----------|-----------|
| Code | Part No. | Material | Port 1 | Port 2 | Mfg. Loc. |
| 10T | 7022240 | Alum. | SAE 10 | SAE 10 | U.S. |
| 12T | 7022250 | Alum. | SAE 12 | SAE 12 | U.S. |
| 16T | 7022260 | Alum. | SAE 16 | SAE 16 | U.S. |
| 4B | 7022510 | Alum. | 1/2" BSP | 1/2" BSP | U.K. |
| 6B | 7022520 | Alum. | 3/4" BSP | 3/4" BSP | U.K. |
| 8B | 7022530 | Alum. | 1" BSP | 1" BSP | U.K. |

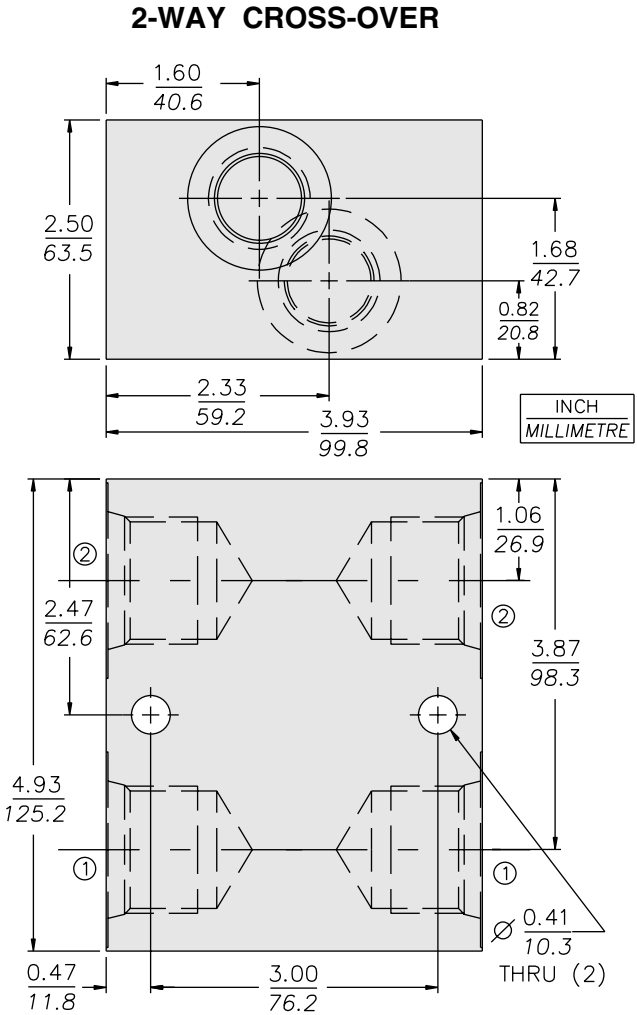
| SERIES 12 2-WAY 12-L2 HOUSINGS* | | | | | |
|---------------------------------|----------|----------|--------|--------|-----------|
| Code | Part No. | Material | Port 1 | Port 2 | Mfg. Loc. |
| 08T | 7020650 | Alum. | SAE 08 | SAE 08 | U.S. |
| 10T | 7020660 | Alum. | SAE 10 | SAE 10 | U.S. |
| 12T | 7020670 | Alum. | SAE 12 | SAE 12 | U.S. |

* Designed for use with PV72-20, PV72-21 and FR12-23 valves.

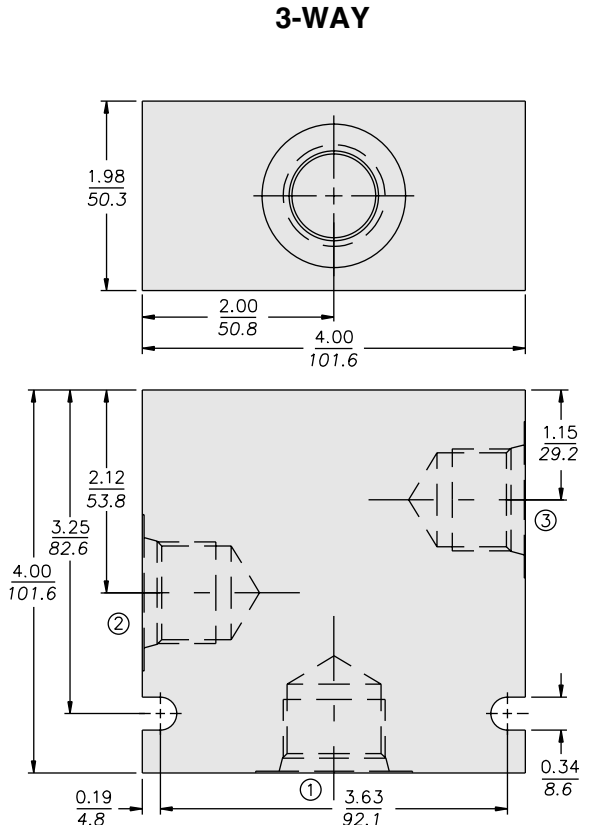
Note: Illustrations and dimensions shown on these pages are for Aluminum housings only. Ductile Iron and Steel housings are dimensionally different. Consult factory.

| HYDRAFORCE STANDARD VALVE HOUSINGS | | | |
|--------------------------------------|--------------------|-------|---------------|
| MATERIAL | OPERATING PRESSURE | PORTS | MFG. LOCATION |
| Aluminum, 6061 T6511, Clear Anodized | 240 bar (3500 psi) | SAE | U.S. |
| Aluminum, 6082 TF, Gold Tint | 240 bar (3500 psi) | BSP | U.K. |
| Ductile Iron, | 350 bar (5000 psi) | SAE | U.S. |
| Ductile Iron, | 350 bar (5000 psi) | BSP | U.K. |
| Steel, Low carbon | 350 bar (5000 psi) | SAE | U.S. |
| Steel, 220 M 07, Zinc Plated | 350 bar (5000 psi) | BSP | U.K. |

Series 12 Valve Housings



7170670 CRV Housing



SAE 12 Ported Housing Illustrated

| SERIES 12 CROSS-OVER HOUSINGS | | | | | |
|-------------------------------|----------|----------|------------|------------|-----------|
| Code | Part No. | Material | Port 1 | Port 2 | Mfg. Loc. |
| 10T | 7170670 | Alum. | SAE 12 (2) | SAE 12 (2) | U.S. |

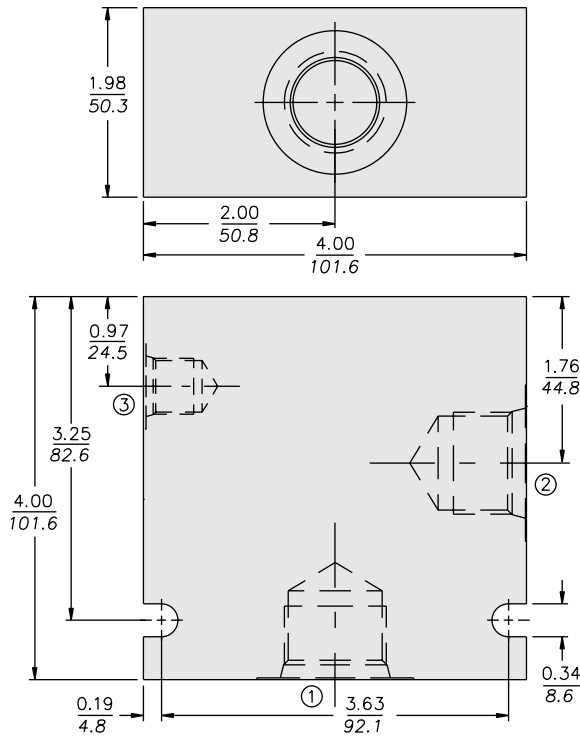
| SERIES 12 3-WAY HOUSINGS | | | | | | |
|--------------------------|----------|----------|----------|----------|----------|-----------|
| Code | Part No. | Material | Port 1 | Port 2 | Port 3 | Mfg. Loc. |
| 8T | 7022320 | Alum. | SAE 8 | SAE 8 | SAE 8 | U.S. |
| 10T | 7022330 | Alum. | SAE 10 | SAE 10 | SAE 10 | U.S. |
| 12T | 7022340 | Alum. | SAE 12 | SAE 12 | SAE 12 | U.S. |
| 8TD | 7155100 | Ductile | SAE 8 | SAE 8 | SAE 8 | U.S. |
| 12TD | 7155120 | Ductile | SAE 12 | SAE 12 | SAE 12 | U.S. |
| 8TS | 7029310 | Steel | SAE 8 | SAE 8 | SAE 8 | U.S. |
| 12TS | 7029340 | Steel | SAE 12 | SAE 12 | SAE 12 | U.S. |
| 4B | 7022610 | Alum. | 1/2" BSP | 1/2" BSP | 1/2" BSP | U.K. |
| 6B | 7022620 | Alum. | 3/4" BSP | 3/4" BSP | 3/4" BSP | U.K. |

Note: Illustrations and dimensions shown on these pages are for Aluminum housings only. Ductile Iron and Steel housings are dimensionally different. Consult factory.

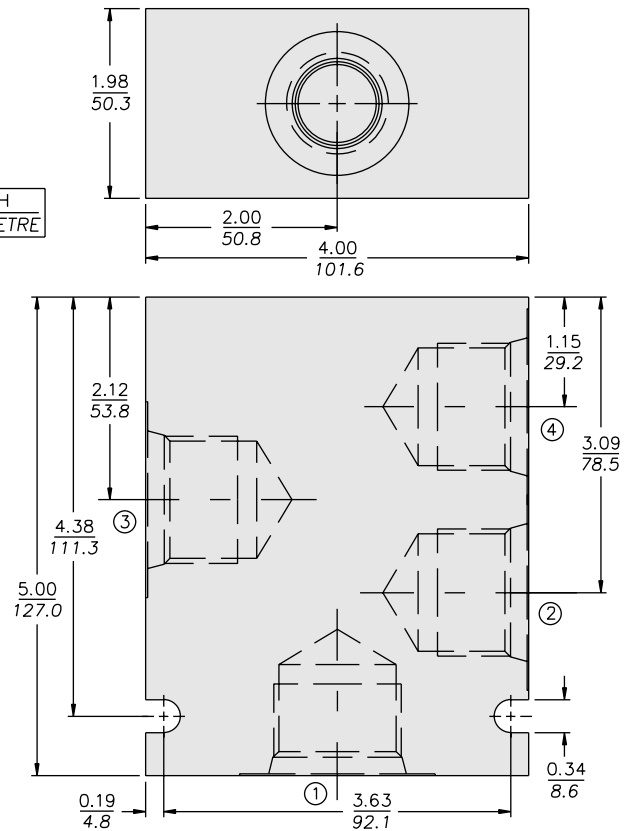
HOUSINGS AND ACCESSORY PRODUCTS

Series 12 Valve Housings

3-WAY SHORT



4-WAY



INCH
MILLIMETRE

SAE 12 Ported Housing Illustrated

| SERIES 12 3-WAY SHORT HOUSING | | | | | | |
|-------------------------------|----------|----------|--------|--------|--------|-----------|
| Code | Part No. | Material | Port 1 | Port 2 | Port 3 | Mfg. Loc. |
| 12T | 7027400 | Alum. | SAE 12 | SAE 12 | SAE 6 | U.S. |

| SERIES 12 4-WAY HOUSINGS | | | | | | | |
|--------------------------|----------|----------|----------|----------|----------|----------|-----------|
| Code | Part No. | Material | Port 1 | Port 2 | Port 3 | Port 4 | Mfg. Loc. |
| 6B | 7022720 | Alum. | 3/4" BSP | 3/4" BSP | 3/4" BSP | 3/4" BSP | U.K. |
| 10T | 7022480 | Alum. | SAE 10 | SAE 10 | SAE 10 | SAE 10 | U.S. |
| 12T | 7022470 | Alum. | SAE 12 | SAE 12 | SAE 12 | SAE 12 | U.S. |
| 10T* | 7022460 | Alum. | SAE 6 | SAE 10 | SAE 10 | SAE 10 | U.S. |
| 12T* | 7022440 | Alum. | SAE 6 | SAE 12 | SAE 12 | SAE 12 | U.S. |

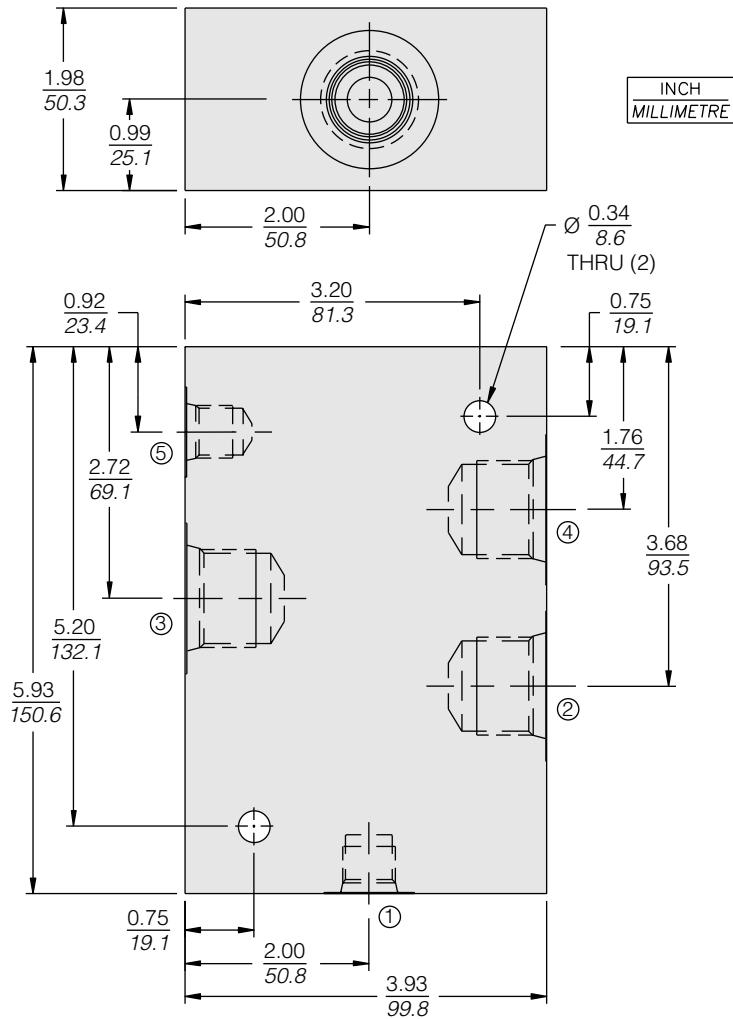
*PD-TYPE BODY

Note: Illustrations and dimensions shown on these pages are for Aluminum housings only. Ductile Iron and Steel housings are dimensionally different. Consult factory.

HOUSINGS AND ACCESSORY PRODUCTS

Series 12 Valve Housings

5-WAY PD TYPE

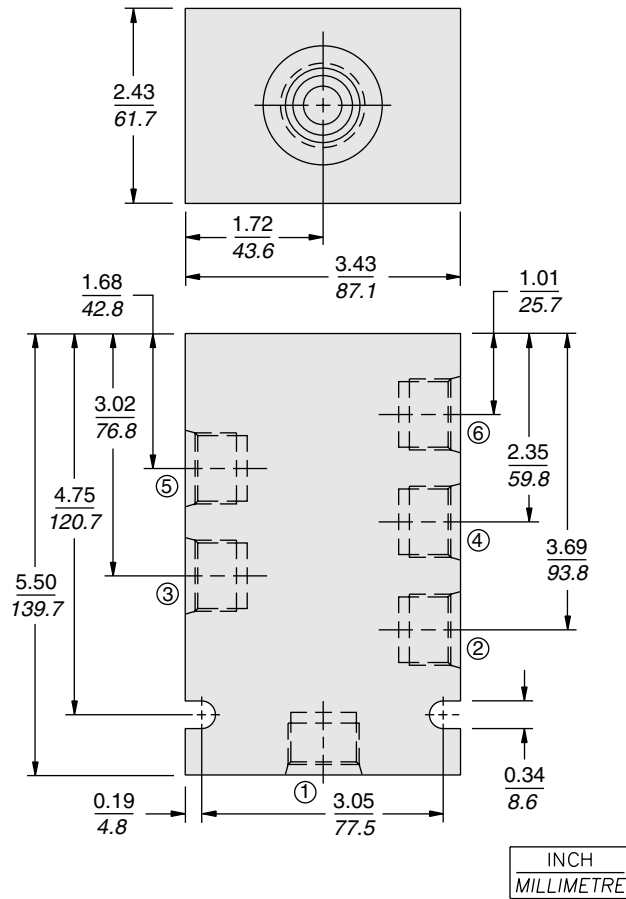


| SERIES 12 5-WAY PD-TYPE HOUSINGS | | | | | | | | |
|----------------------------------|----------|----------|--------|--------|--------|--------|--------|-----------|
| Code | Part No. | Material | Port 1 | Port 2 | Port 3 | Port 4 | Port 5 | Mfg. Loc. |
| 10T | 7029900 | Alum. | SAE 6 | SAE 10 | SAE 10 | SAE 10 | SAE 6 | U.S. |
| 12T | 7029910 | Alum. | SAE 6 | SAE 12 | SAE 12 | SAE 12 | SAE 6 | U.S. |

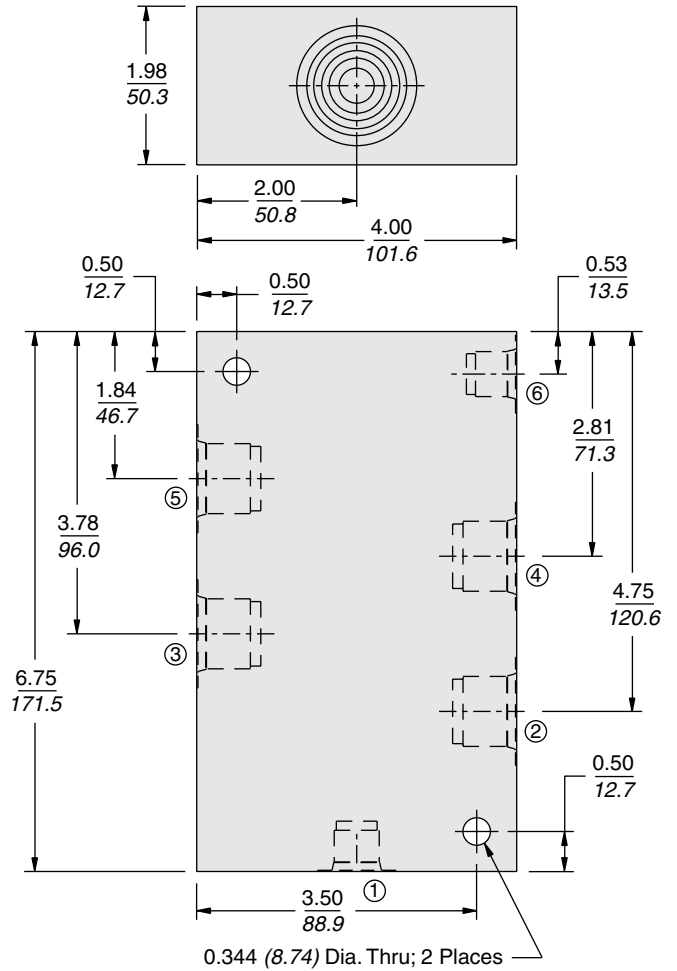
Note: Illustrations and dimensions shown on these pages are for Aluminum housings only. Ductile Iron and Steel housings are dimensionally different. Consult factory.

Series 12 Valve Housings

6-WAY



6-WAY PD/PE-TYPE 12-S6 TEST HOUSINGS



| SERIES 12 6-WAY HOUSINGS | | | | | | | | | |
|--------------------------|----------|----------|--------|--------|--------|--------|--------|--------|-----------|
| Code | Part No. | Material | Port 1 | Port 2 | Port 3 | Port 4 | Port 5 | Port 6 | Mfg. Loc. |
| 6T | 7021460 | Alum. | SAE 6 | SAE 6 | SAE 6 | SAE 6 | SAE 6 | SAE 6 | U.S. |
| 8T | 7021470 | Alum. | SAE 8 | SAE 8 | SAE 8 | SAE 8 | SAE 8 | SAE 8 | U.S. |
| 10T | 7021480 | Alum. | SAE 10 | SAE 10 | SAE 10 | SAE 10 | SAE 10 | SAE 10 | U.S. |

| SERIES 12 6-WAY PD/PE-TYPE 12-S6 TEST HOUSINGS | | | | | | | | | |
|--|----------|----------|---------|---------|---------|---------|---------|---------|-----------|
| Code | Part No. | Material | Port 1 | Port 2 | Port 3 | Port 4 | Port 5 | Port 6 | Mfg. Loc. |
| 6B | 7150220 | Alum. | 1/4 BSP | 3/4 BSP | 3/4 BSP | 3/4 BSP | 3/4 BSP | 1/4 BSP | U.K. |
| 8T | 7150240 | Alum. | SAE 6 | SAE 8 | SAE 8 | SAE 8 | SAE 8 | SAE 6 | U.S. |

Note: Illustrations and dimensions shown on these pages are for Aluminum housings only. Ductile Iron and Steel housings are dimensionally different. Consult factory.