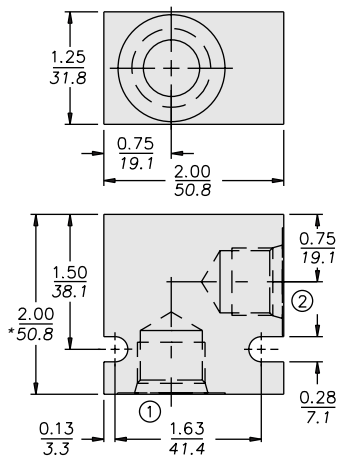


# HOUSINGS AND ACCESSORY PRODUCTS

## Series 10 Valve Housings

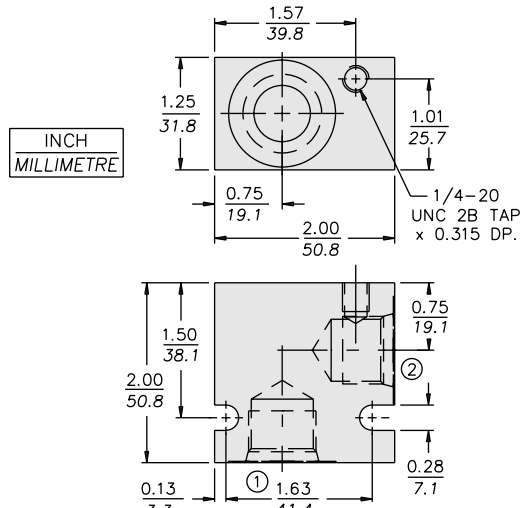
### 2-WAY



\*BSP Ported: 55.9 mm

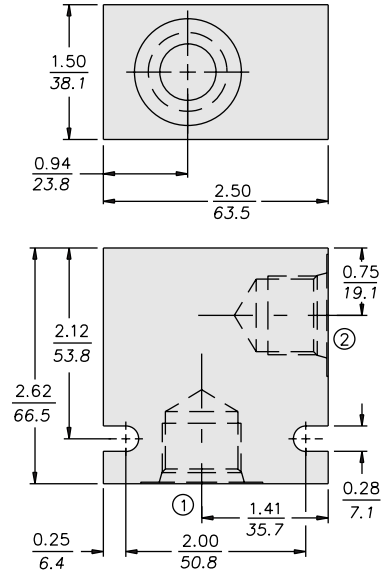
SAE 8 Ported Housing Illustrated

### 2-WAY MR



7026180 – MR  
For Lock-Down Bracket Use

### 2-WAY OVERSIZED PORTS



7029240 & 7024290

#### SERIES 10 2-WAY HOUSINGS

| Code | Part No. | Material | Port 1   | Port 2   | Mfg. Loc. |
|------|----------|----------|----------|----------|-----------|
| 6T   | 7024260  | Alum.    | SAE 6    | SAE 6    | U.S.      |
| 8T   | 7024280  | Alum.    | SAE 8    | SAE 8    | U.S.      |
| 8TL  | 7026180  | Alum.    | SAE 8    | SAE 8    | U.S.*     |
| 2B   | 7028220  | Alum.    | 1/4" BSP | 1/4" BSP | U.K.      |
| 3B   | 7028230  | Alum.    | 3/8" BSP | 3/8" BSP | U.K.      |
| 4B   | 7028240  | Alum.    | 1/2" BSP | 1/2" BSP | U.K.      |
| 6TD  | 7151400  | Ductile  | SAE 6    | SAE 6    | U.S.      |
| 8TD  | 7151410  | Ductile  | SAE 8    | SAE 8    | U.S.      |
| 3BD  | 7151440  | Ductile  | 3/8" BSP | 3/8" BSP | U.K.      |
| 6TS  | 7026260  | Steel    | SAE 6    | SAE 6    | U.S.      |
| 8TS  | 7026280  | Steel    | SAE 8    | SAE 8    | U.S.      |
| 3BS  | 7028530  | Steel    | 3/8" BSP | 3/8" BSP | U.K.      |

\*Drilled and tapped for lock-down bracket

#### SERIES 10 2-WAY MR HOUSINGS

| Code | Part No. | Material | Port 1 | Port 2 | Port 3 | Mfg. Loc. |
|------|----------|----------|--------|--------|--------|-----------|
| 8T   | 7026180  | Alum.    | SAE 8  | SAE 8  | SAE 8  | U.S.      |

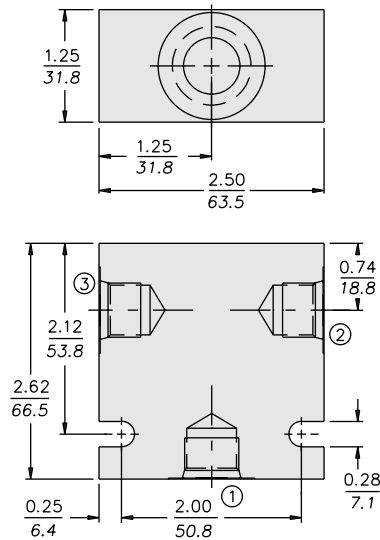
#### SERIES 10 2-WAY WITH OVERSIZED PORTS

| Code | Part No. | Material | Port 1 | Port 2 | Mfg. Loc. |
|------|----------|----------|--------|--------|-----------|
| 10T  | 7029240  | Alum.    | SAE 10 | SAE 10 | U.S.      |
| 12T  | 7024290  | Alum.    | SAE 12 | SAE 12 | U.S.      |

Note: Illustrations and dimensions shown on these pages are for Aluminum housings only. Ductile Iron and Steel housings are dimensionally different. Consult factory.

# Series 10 Valve Housings

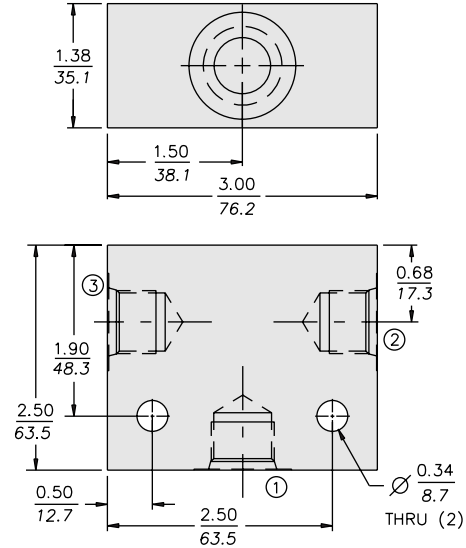
## 2-WAY THRU-PORTED



7025680 Illustrated

## 2-WAY THRU-PORTED OVERSIZED PORTS

INCH  
MILLIMETRE



7027080 Illustrated

| SERIES 10 2-WAY THRU-PORTED HOUSINGS |          |          |        |        |        |           |
|--------------------------------------|----------|----------|--------|--------|--------|-----------|
| Code                                 | Part No. | Material | Port 1 | Port 2 | Port 3 | Mfg. Loc. |
| 6T                                   | 7025660  | Alum.    | SAE 6  | SAE 6  | SAE 6  | U.S.      |
| 8T                                   | 7025680  | Alum.    | SAE 8  | SAE 8  | SAE 8  | U.S.      |

| SERIES 10 2-WAY THRU-PORTED WITH OVERSIZED PORTS |          |          |        |        |        |           |
|--|----------|----------|--------|--------|--------|-----------|
| Code   | Part No. | Material | Port 1 | Port 2 | Port 3 | Mfg. Loc. |
| 10T  | 7027080  | Alum.    | SAE 10 | SAE 10 | SAE 10 | U.S.      |

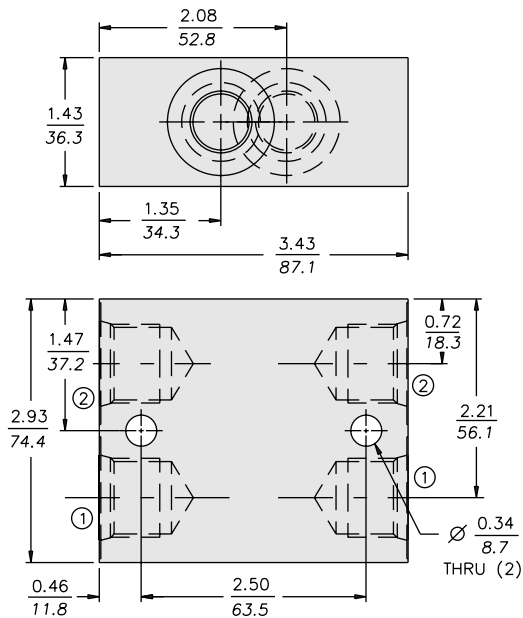
Note: Illustrations and dimensions shown on these pages are for Aluminum housings only. Ductile Iron and Steel housings are dimensionally different. Consult factory.

| HYDRAFORCE STANDARD VALVE HOUSINGS   |                    |       |               |
|--------------------------------------|--------------------|-------|---------------|
| MATERIAL                             | OPERATING PRESSURE | PORTS | MFG. LOCATION |
| Aluminum, 6061 T6511, Clear Anodized | 240 bar (3500 psi) | SAE   | U.S.          |
| Aluminum, 6082 TF, Gold Tint         | 240 bar (3500 psi) | BSP   | U.K.          |
| Ductile Iron,                        | 350 bar (5000 psi) | SAE   | U.S.          |
| Ductile Iron,                        | 350 bar (5000 psi) | BSP   | U.K.          |
| Steel, Low carbon                    | 350 bar (5000 psi) | SAE   | U.S.          |
| Steel, 220 M 07, Zinc Plated         | 350 bar (5000 psi) | BSP   | U.K.          |

# HOUSINGS AND ACCESSORY PRODUCTS

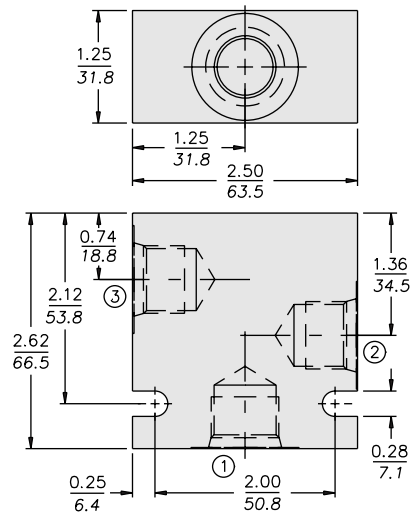
## Series 10 Valve Housings

### 2-WAY CROSS-OVER



7070170 CRV Housing

### 3-WAY



SAE 8 Ported Housing Illustrated

INCH  
MILLIMETRE

| SERIES 10 2-WAY CROSS-OVER HOUSINGS |          |          |            |            |           |  |
|-------------------------------------|----------|----------|------------|------------|-----------|--|
| Code                                | Part No. | Material | Port 1     | Port 2     | Mfg. Loc. |  |
| 10T                                 | 7070170  | Alum.    | SAE 10 (2) | SAE 10 (2) | U.S.      |  |

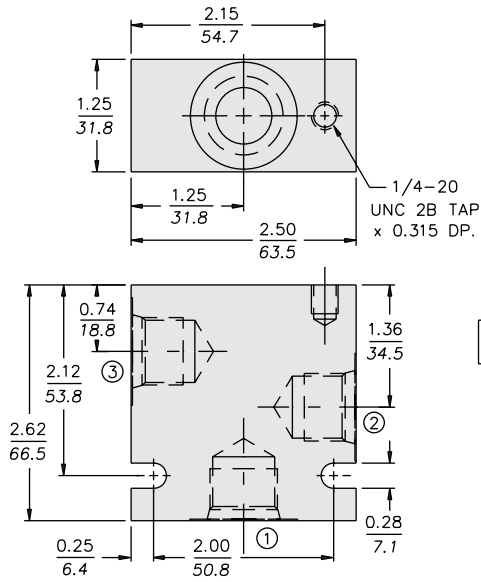
| SERIES 10 3-WAY HOUSINGS |          |          |          |          |          |           |
|--------------------------|----------|----------|----------|----------|----------|-----------|
| Code                     | Part No. | Material | Port 1   | Port 2   | Port 3   | Mfg. Loc. |
| 6T                       | 7024360  | Alum.    | SAE 6    | SAE 6    | SAE 6    | U.S.      |
| 8T                       | 7024380  | Alum.    | SAE 8    | SAE 8    | SAE 8    | U.S.      |
| 8TL                      | 7020980  | Alum.    | SAE 8    | SAE 8    | SAE 8    | U.S.*     |
| 2B                       | 7028320  | Alum.    | 1/4" BSP | 1/4" BSP | 1/4" BSP | U.K.      |
| 3B                       | 7028330  | Alum.    | 3/8" BSP | 3/8" BSP | 3/8" BSP | U.K.      |
| 6TD                      | 7151500  | Ductile  | SAE 6    | SAE 6    | SAE 6    | U.S.      |
| 6TS                      | 7026360  | Steel    | SAE 6    | SAE 6    | SAE 6    | U.S.      |

\*Drilled and tapped for lock-down bracket

Note: Illustrations and dimensions shown on these pages are for Aluminum housings only. Ductile Iron and Steel housings are dimensionally different. Consult factory.

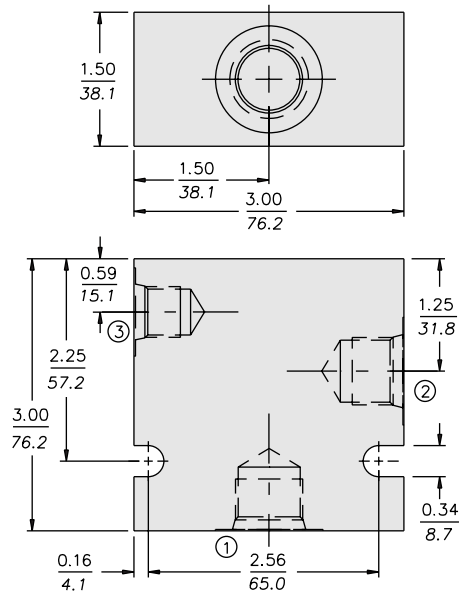
# Series 10 Valve Housings

## 3-WAY MR



**7020980 – MR**  
For Lock-Down Bracket Use

## 3-WAY SHORT



**SAE 8 Ported Housing Illustrated**

INCH  
MILLIMETRE

| SERIES 10 3-WAY MR HOUSINGS |          |          |        |        |        |           |
|-----------------------------|----------|----------|--------|--------|--------|-----------|
| Code                        | Part No. | Material | Port 1 | Port 2 | Port 3 | Mfg. Loc. |
| 8T                          | 7020980  | Alum.    | SAE 8  | SAE 8  | SAE 8  | U.S.      |

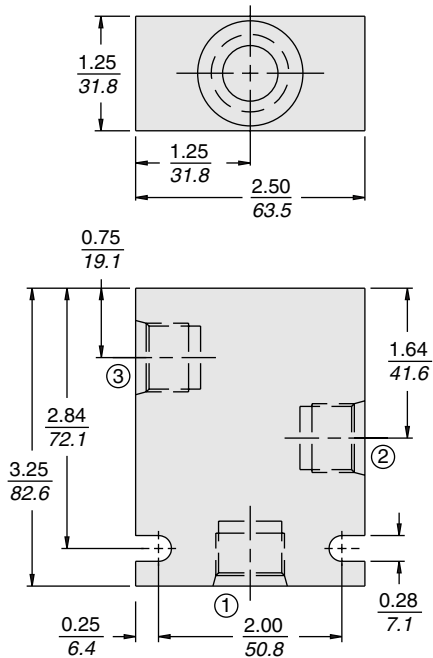
| SERIES 10 3-WAY SHORT HOUSINGS |          |          |        |        |        |           |
|--------------------------------|----------|----------|--------|--------|--------|-----------|
| Code                           | Part No. | Material | Port 1 | Port 2 | Port 3 | Mfg. Loc. |
| 8T                             | 7026520  | Alum.    | SAE 8  | SAE 8  | SAE 6  | U.S.      |
| 10T                            | 7026530  | Alum.    | SAE 10 | SAE 10 | SAE 6  | U.S.      |

Note: Illustrations and dimensions shown on these pages are for Aluminum housings only. Ductile Iron and Steel housings are dimensionally different. Consult factory.

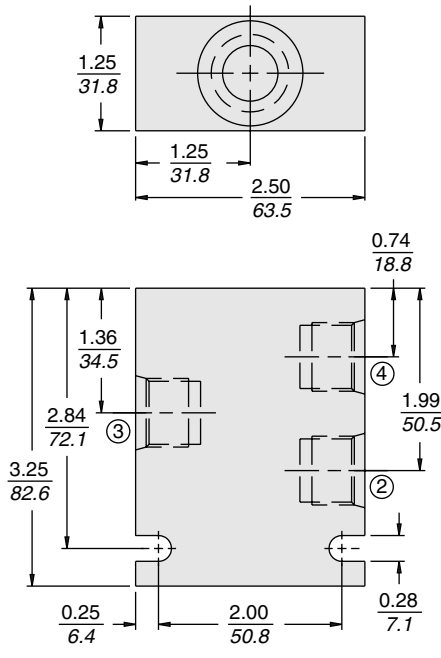
# HOUSINGS AND ACCESSORY PRODUCTS

## Series 10 Valve Housings

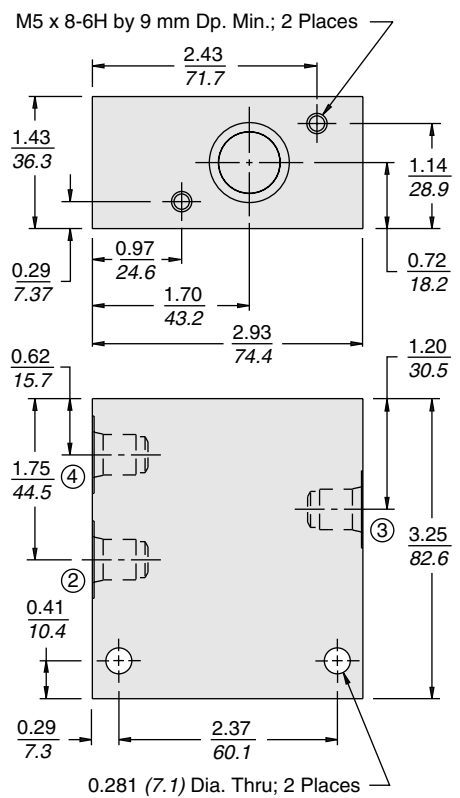
3-WAY TS98-39



3-WAY 10-L3



3-WAY TS98-34



INCH  
MILLIMETRE

SERIES 10 3-WAY TS98-39 HOUSINGS

| Code | Part No. | Material | Port 1 | Port 2 | Port 3 | Mfg. Loc. |
|------|----------|----------|--------|--------|--------|-----------|
| 6T   | 7021680  | Alum.    | SAE 6  | SAE 6  | SAE 6  | U.S.      |
| 8T   | 7021690  | Alum.    | SAE 8  | SAE 8  | SAE 8  | U.S.      |

SERIES 10 3-WAY 10-L3 HOUSINGS

| Code | Part No. | Material | Port 1 | Port 2 | Port 3 | Mfg. Loc. |
|------|----------|----------|--------|--------|--------|-----------|
| 6T   | 7025460  | Alum.    | SAE 6  | SAE 6  | SAE 6  | U.S.      |
| 8T   | 7025480  | Alum.    | SAE 8  | SAE 8  | SAE 8  | U.S.      |

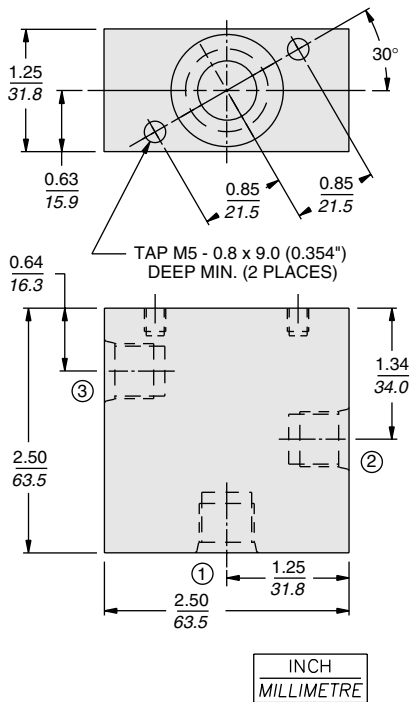
SERIES 10 3-WAY TS98-T34 HOUSINGS

| Code | Part No. | Material | Port 1 | Port 2 | Port 3 | Mfg. Loc. |
|------|----------|----------|--------|--------|--------|-----------|
| 6T   | 7150120  | Alum.    | SAE 6  | SAE 6  | SAE 6  | U.S.      |

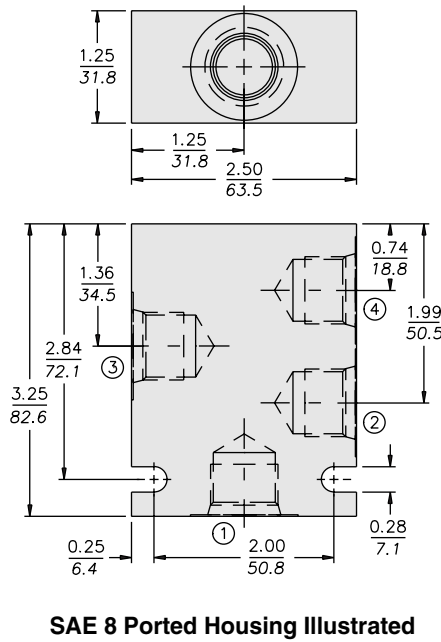
Note: Illustrations and dimensions shown on these pages are for Aluminum housings only. Ductile Iron and Steel housings are dimensionally different. Consult factory.

# Series 10 Valve Housings

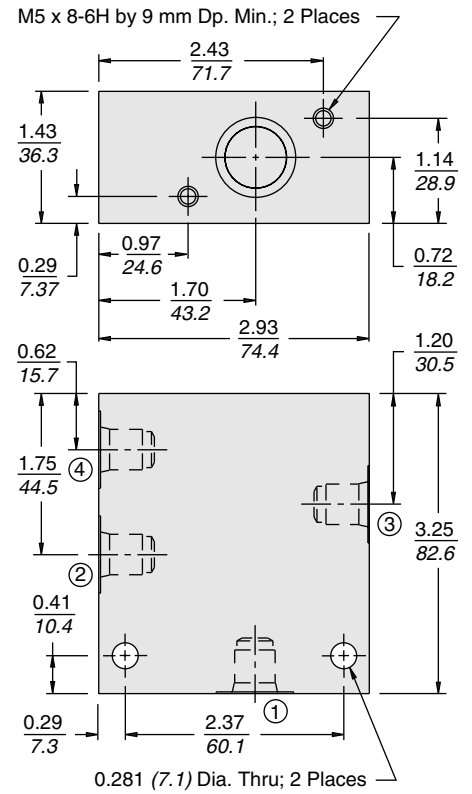
## 3-WAY 98-T3



## 4-WAY



## 4-WAY SV98-T40



### SERIES 10 3-WAY 98-T3 HOUSINGS

| Code | Part No. | Material | Port 1 | Port 2 | Port 3 | Mfg. Loc. |
|------|----------|----------|--------|--------|--------|-----------|
| 6T   | 4502500  | Alum.    | SAE 6  | SAE 6  | SAE 6  | U.S.      |

### SERIES 10 4-WAY HOUSINGS

| Code | Part No. | Material | Port 1   | Port 2   | Port 3   | Port 4   | Mfg. Loc. |
|------|----------|----------|----------|----------|----------|----------|-----------|
| 6T   | 7024460  | Alum.    | SAE 6    | SAE 6    | SAE 6    | SAE 6    | U.S.      |
| 8T   | 7024480  | Alum.    | SAE 8    | SAE 8    | SAE 8    | SAE 8    | U.S.      |
| 8TL  | 7023380  | Alum.    | SAE 8    | SAE 8    | SAE 8    | SAE 8    | U.S.*     |
| 2B   | 7028420  | Alum.    | 1/4" BSP | 1/4" BSP | 1/4" BSP | 1/4" BSP | U.K.      |
| 3B   | 7028430  | Alum.    | 3/8" BSP | 3/8" BSP | 3/8" BSP | 3/8" BSP | U.K.      |
| 6TD  | 7151700  | Ductile  | SAE 6    | SAE 6    | SAE 6    | SAE 6    | U.S.      |
| 6TS  | 7026460  | Steel    | SAE 6    | SAE 6    | SAE 6    | SAE 6    | U.S.      |

\*Drilled and tapped for lock-down bracket

### SERIES 10 4-WAY SV98-T40 HOUSINGS

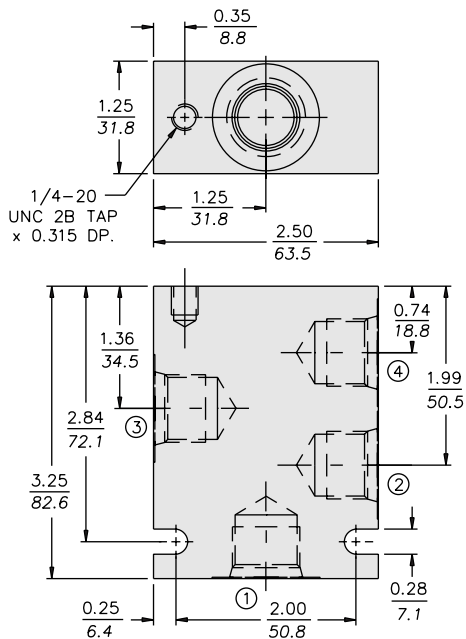
| Code | Part No. | Material | Port 1 | Port 2 | Port 3 | Port 4 | Mfg. Loc. |
|------|----------|----------|--------|--------|--------|--------|-----------|
| 6T   | 7150020  | Alum.    | SAE 6  | SAE 6  | SAE 6  | SAE 6  | U.S.      |

Note: Illustrations and dimensions shown on these pages are for Aluminum housings only. Ductile Iron and Steel housings are dimensionally different. Consult factory.

# HOUSINGS AND ACCESSORY PRODUCTS

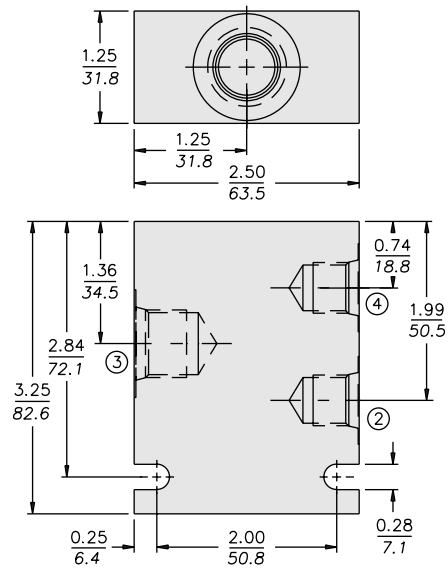
## Series 10 Valve Housings

### 4-WAY MR



INCH  
MILLIMETRE

### 4-WAY 3-PORTED



SAE 8 Ported Housing Illustrated

7023380 – MR  
For Lock-Down Bracket Use

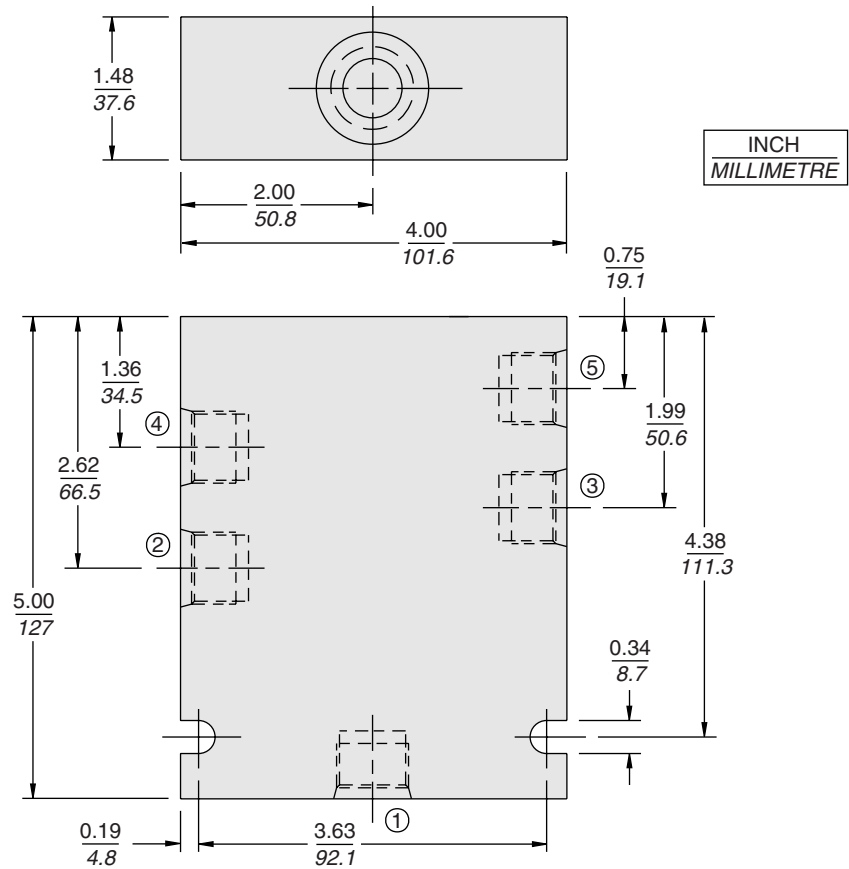
| SERIES 10 4-WAY MR HOUSINGS |          |          |        |        |        |        |           |
|-----------------------------|----------|----------|--------|--------|--------|--------|-----------|
| Code                        | Part No. | Material | Port 1 | Port 2 | Port 3 | Port 4 | Mfg. Loc. |
| 8T                          | 7023380  | Alum.    | SAE 8  | SAE 8  | SAE 8  | SAE 8  | U.S.      |

| SERIES 10 4-WAY 3-PORTED SPECIAL HOUSINGS |          |          |        |          |          |          |           |
|---|----------|----------|--------|----------|----------|----------|-----------|
| Code                                      | Part No. | Material | Port 1 | Port 2   | Port 3   | Port 4   | Mfg. Loc. |
| 6T  | 7027000  | Alum.    | —      | SAE 6    | SAE 6    | SAE 6    | U.S.      |
| 8D  | 7024980  | Alum.    | —      | SAE 6    | SAE 8    | SAE 6    | U.S.      |
| 5B  | 7028540  | Alum.    | —      | 3/8" BSP | 1/2" BSP | 3/8" BSP | U.K.      |

Note: Illustrations and dimensions shown on these pages are for Aluminum housings only.  
Ductile Iron and Steel housings are dimensionally different. Consult factory.

# Series 10 Valve Housings

## 5-WAY



| SERIES 10 5-WAY HOUSINGS |          |          |        |        |        |        |        |           |
|--------------------------|----------|----------|--------|--------|--------|--------|--------|-----------|
| Code                     | Part No. | Material | Port 1 | Port 2 | Port 3 | Port 4 | Port 5 | Mfg. Loc. |
| 6T                       | 7022820  | Alum.    | SAE 6  | SAE 6  | SAE 6  | SAE 6  | SAE 6  | U.S.      |
| 8T                       | 7022830  | Alum.    | SAE 8  | SAE8   | SAE 8  | SAE 8  | SAE 8  | U.S.      |

Note: Illustrations and dimensions shown on these pages are for Aluminum housings only.  
Ductile Iron and Steel housings are dimensionally different. Consult factory.