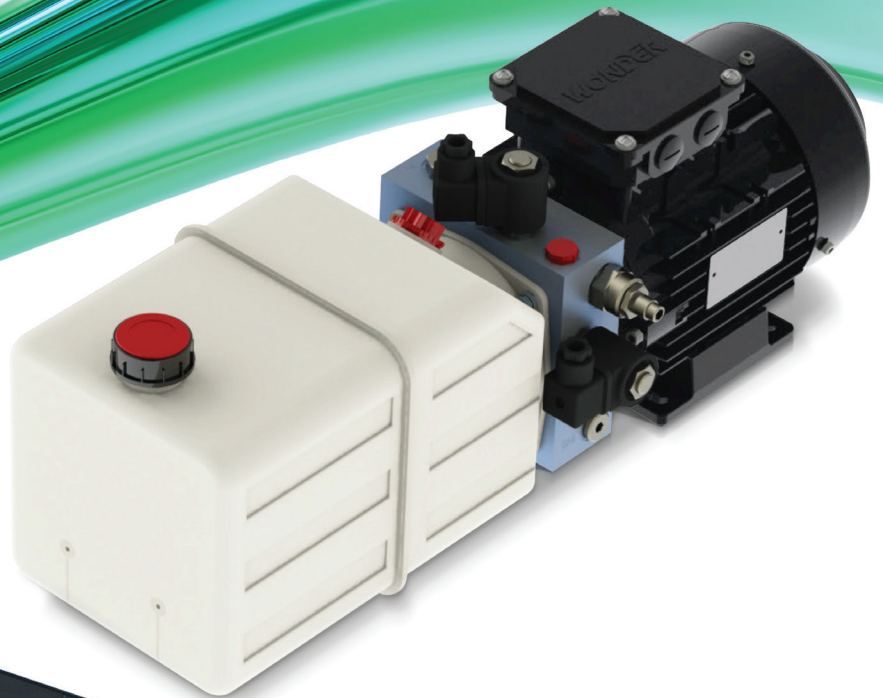
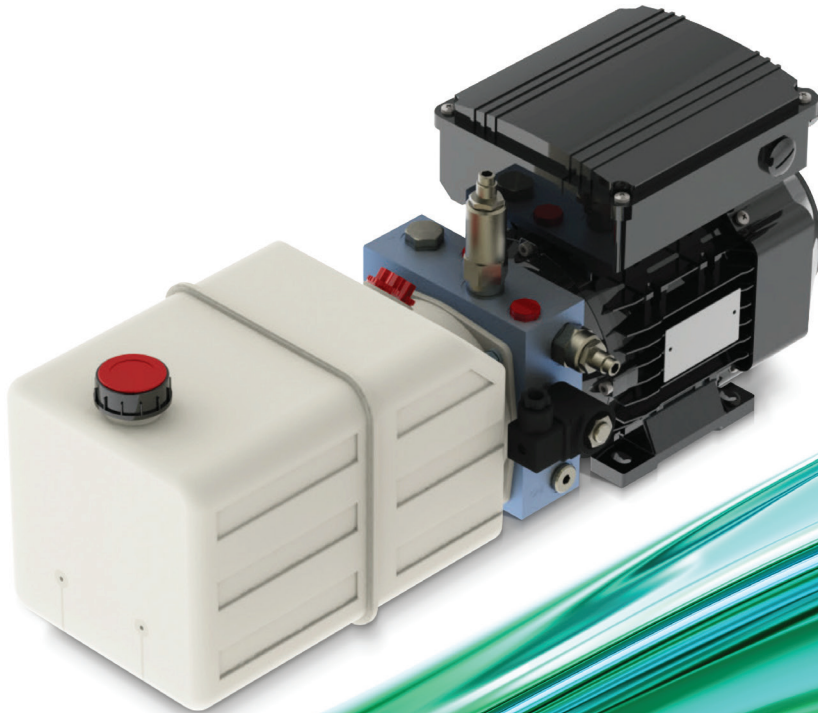




SAVERY
HYDRAULICS

MANUFACTURERS OF HIGH
PERFORMANCE HYDRAULIC
CONTROL SOLUTIONS

DOCK LEVELLER



DOCK LEVELLERS

SCISSOR LIFTS

CAR LIFTS

MEZZANINE FLOOR LIFTS

DOUBLE DECK LIFTS

TAIL LIFTS

HOME LIFTS

TIPPER PACKS





Savery Hydraulics is a leading expert in the design and manufacture of hydraulic solutions including turnkey projects, electro-hydraulic control systems and small individual power pack units.

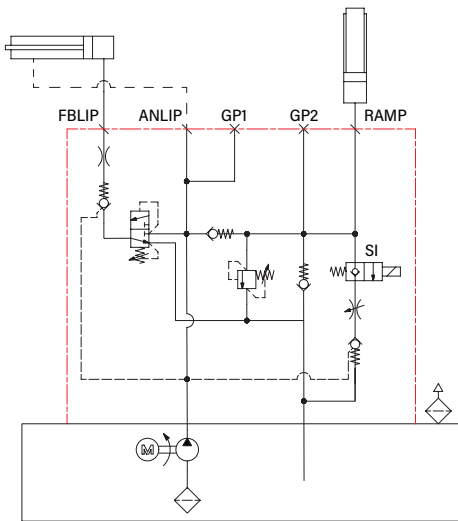
While this pack has been designed with dock levellers in mind, derivatives can be used for a range of other applications.

▶ DOCK LEVELLER

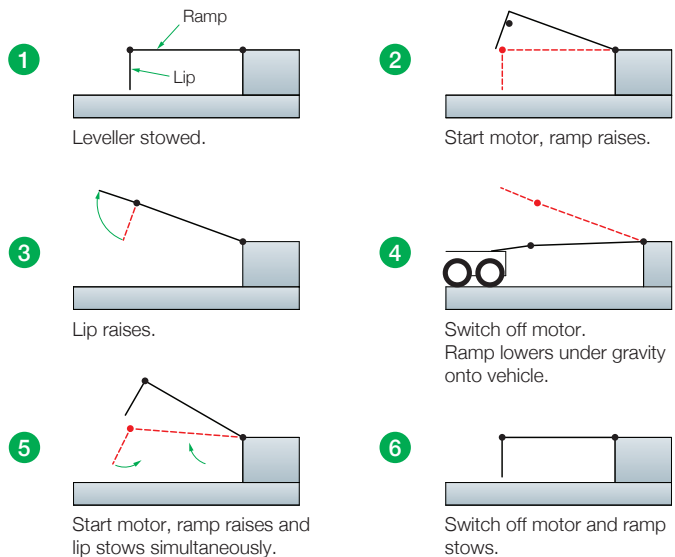
Our Dock Leveller Power Packs have been designed with ease of integration in mind and variants will work on both folding and sliding lip Dock Levellers. They are based around a common single centre adaptor design.

FOLDING LIP (DLFL)

CIRCUIT DIAGRAM

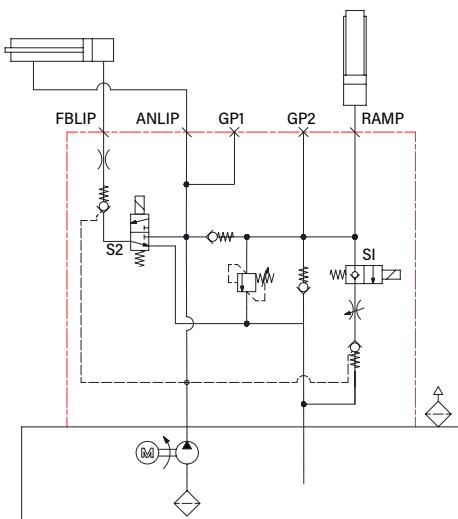


SEQUENCE OF OPERATION

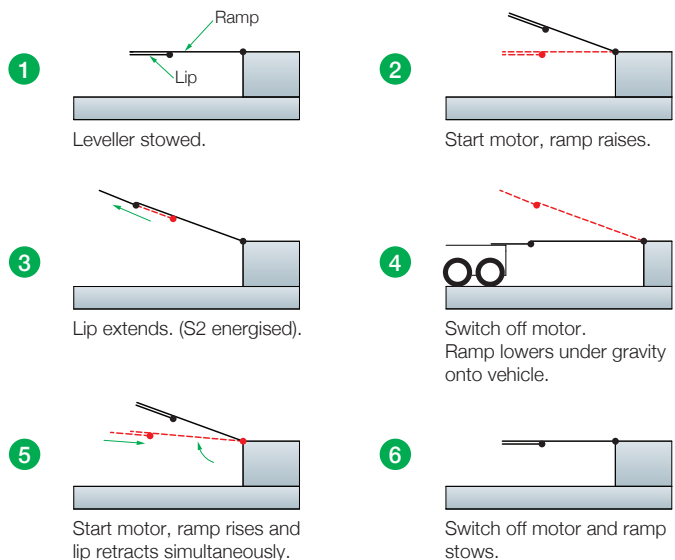


SLIDING LIP (DLSL)

CIRCUIT DIAGRAM



SEQUENCE OF OPERATION





SPECIFICATION

- ▶ 0.75kW & 1.1kW 2 pole, single and 3 phase AC motor options available.
- ▶ Standard relief setting 165 bar.
- ▶ A range of AC and DC control voltages available.
- ▶ Incorporates overload relief valve and an anti cavitation check valve.
- ▶ Suitable for both single and double acting lip cylinders.
- ▶ Standard reservoir with 5.0 litres useable volume.

ORDER CODE

Using the breakdown of the ordering code below a Dock Leveller power pack can easily be configured to suit your requirements. Simply work along each section choosing the configuration that you require.

Code	Circuit	Code	Pump / Motor	Code	Control Voltage
DLFL	Dock Leveller Folding Lip. This has a solenoid valve on the lift circuit with a pressure sequence valve operating the folding lip.	1207	Approximately 4.5 l/min pump driven by a single Phase TEFC cap start/cap run, 2 Pole 0.75 KW electric motor suitable for a 230 volt, 1 phase, 50 Hz supply.	12	For use with a 12V DC supply.
		1211	Approximately 6.0 l/min pump driven by a single Phase TEFC cap start/cap run, 2 Pole 1.1 KW electric motor suitable for a 230 volt, 1 phase, 50 Hz supply.	24	For use with a 24V DC supply.
DLSL	Dock Leveller Sliding Lip. This has a solenoid valve on the lift circuit and also a solenoid valve for operating the sliding lip.	3207	Approximately 4.5 l/min pump driven by a 3 Phase TEFC, 2 Pole 0.75 KW electric motor suitable for a 400 volt, 3 phase, 50 Hz supply.	24A	For use with a 24V AC supply.
		3211	Approximately 6.0 l/min pump driven by a 3 Phase TEFC, 2 Pole 1.1 KW electric motor suitable for a 400 volt, 3 phase, 50 Hz supply.	115	For use with a 115V AC supply.
				230	For use with a 230V AC supply.

EXAMPLE 1

Order Code: **DLFL** **3207** **24**

- ▶ Dock Leveller power pack with a pressure sequence valve for operating a folding lip Dock Leveller.
- ▶ Fitted with a 0.75kw, 2 pole totally enclosed, fan cooled electric motor suitable for operating off a 400 volt, 3 phase, 50Hz supply. Includes a pump unit delivering 4.5 l/min at 165 bar.
- ▶ Fitted with a solenoid coil suitable for operation from a 24 VDC supply.

EXAMPLE 2

Order Code: **DLSL** **1211** **115**

- ▶ Dock Leveller power pack with a solenoid valve for operating a sliding lip Dock Leveller.
- ▶ Fitted with a 1.1kw, 2 pole totally enclosed, fan cooled electric motor suitable for operating off a 230 volt, single phase, 50Hz supply. Includes a pump unit delivering 6.0 l/min at 165 bar.
- ▶ Fitted with a solenoid coil suitable for operation from a 115 VAC 50 Hz supply.

For dock levellers basic dimensions please see the back page.

Please note when retrofitting existing equipment it is the installers responsibility to ensure suitability for the application on selection.

**SINGLE PHASE DIMENSIONS** (Motors 1207 & 1211)

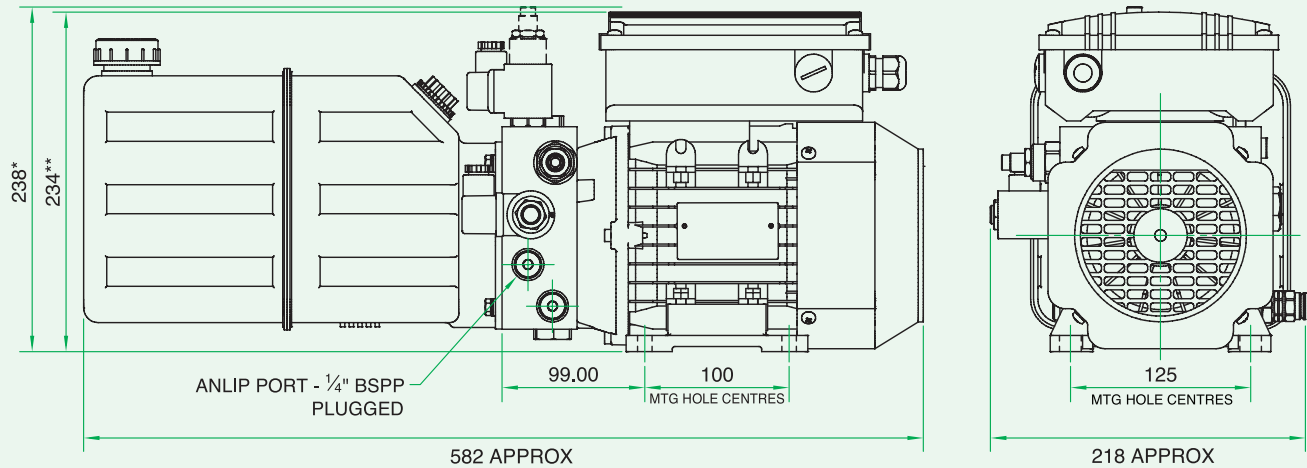
Dimensions [mm]

GP & GP2 - 1/4" B.S.P. Fitted with blanking plugs

4 off fixing holes Ø10.0

* dimension for DLFL variant

** dimension for DLSL variant

**3 PHASE DIMENSIONS** (Motors 3207 & 3211)

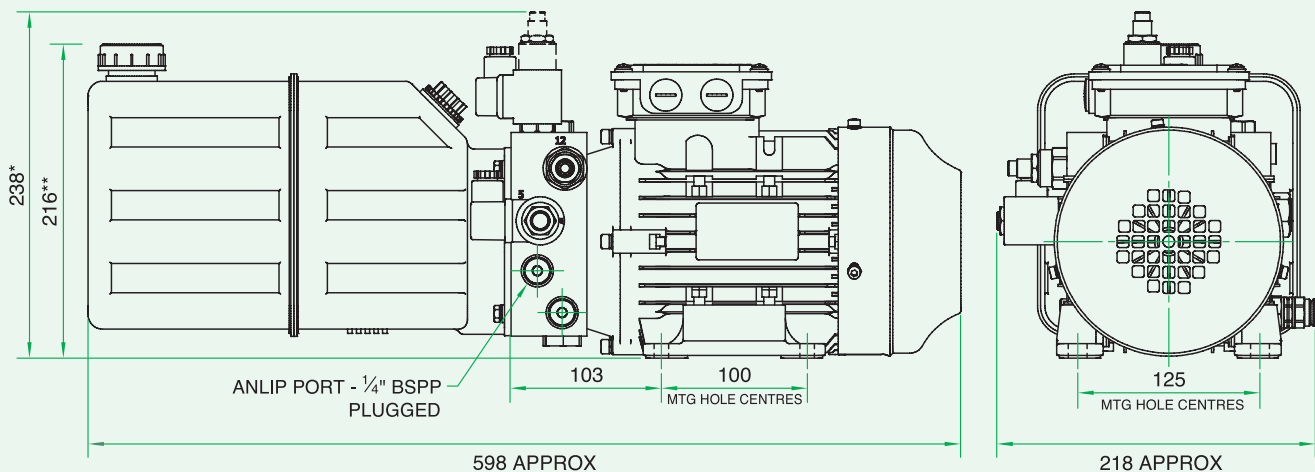
Dimensions [mm]

GP & GP2 - 1/4" B.S.P. Fitted with blanking plugs

4 off fixing holes Ø10.0

* dimension for DLFL variant

** dimension for DLSL variant



Savery have a policy of continual improvement
and details may change without notice.

All of our hydraulic packs can be customised to fit specific applications.

Please contact our sales team on **024 7664 5555**

for help in finding a solution.



SAVERY
HYDRAULICS

T A Savery & Co Limited, Grovelands, Longford Road, Exhall, Coventry CV7 9NE

tel +44 (0)24 7664 5555 fax +44 (0)24 7636 6879 email sales@savery.co.uk web savery.co.uk

Company Reg No: 00272170 Issue 1 February 2020



Representing Hydraulic
& Pneumatic Industries



Savery products & systems are audited & approved to ISO 9001 & ISO 14001.